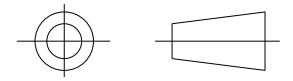


DRAWING No.  
152086

SHT. 1  
OF  
1 SHTS.

© THE COPYRIGHT OF THIS DRAWING IS RESERVED BY HELLERMANN TYTON. IT IS ISSUED ON CONDITION THAT IT IS NOT COPIED, REPRODUCED OR DISCLOSED TO A THIRD PARTY EITHER WHOLLY OR IN PART WITHOUT THE CONSENT IN WRITING OF HELLERMANN TYTON.

THIRD ANGLE PROJECTION

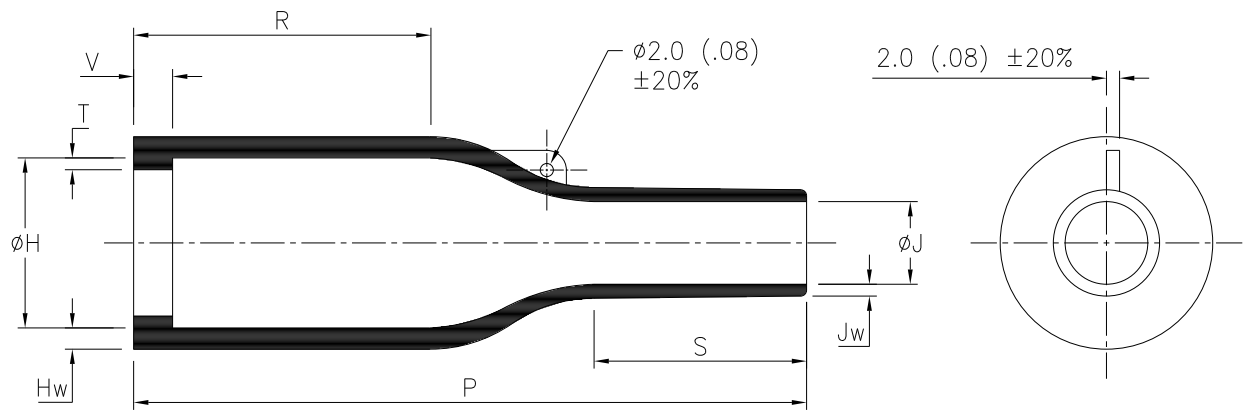


BS 8888

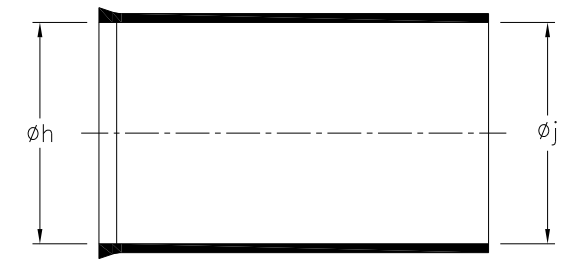
DO NOT SCALE  
IF IN DOUBT ASK

Q.A.	H/S SETT
H/S Q.A.	REL. INSP.
H/S PROD	EXT.ISS.CODE 7

STANDARD PART (AFTER UNRESTRICTED RECOVERY)



EXPANDED (AS SUPPLIED)

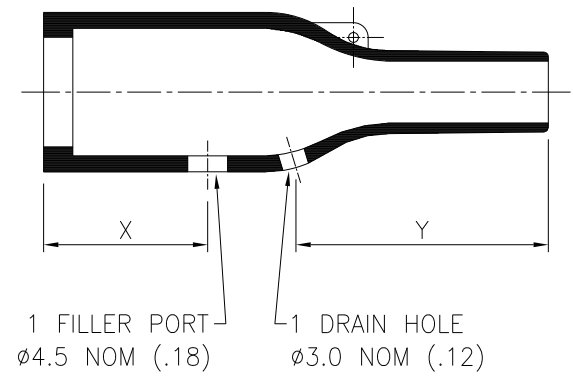


SPEC.	PART No.	EXPANDED DIAMETERS (AS SUPPLIED)		RECOVERED DIAMETERS		RECOVERED DIMENSIONS						
		$\phi h$	$\phi j$	$\phi H$	$\phi J$	P	R	S	T	V	Hw	Jw
		MIN	MIN	MAX	MAX	$\pm 10\%$	NOM	NOM	$\pm 20\%$	MAX	$\pm 20\%$	$\pm 30\%$
-	155-12	36 (1.42)	36 (1.42)	18 (.71)	7 (.28)	67 (2.64)	35 (1.38)	18 (.71)	1.0 (.04)	3.3 (.13)	1.8 (.07)	1.0 (.04)
VG 95343 T06A004A	155-41	31 (1.22)	31 (1.22)	18 (.71)	7 (.28)	47 (1.85)	15 (.59)	18 (.71)	1.0 (.04)	3.3 (.13)	1.8 (.07)	1.0 (.04)
VG 95343 T06B004A	155-42	31 (1.22)	31 (1.22)	18 (.71)	7 (.28)	67 (2.64)	35 (1.38)	18 (.71)	1.0 (.04)	3.3 (.13)	1.8 (.07)	1.0 (.04)
-	155-51	29.2 (1.15)	15 (.59)	18 (.71)	7.3 (.29)	47 (1.85)	15 (.59)	18 (.71)	1.0 (.04)	3.3 (.13)	1.8 (.07)	1.0 (.04)
-	155-52	29.2 (1.15)	15 (.59)	18 (.71)	7.3 (.29)	67 (2.64)	35 (1.38)	18 (.71)	1.0 (.04)	3.3 (.13)	1.8 (.07)	1.0 (.04)
-	155-53	31 (1.22)	18 (.71)	18 (.71)	7.3 (.29)	67 (2.64)	35 (1.38)	18 (.71)	1.0 (.04)	3.3 (.13)	1.8 (.07)	1.0 (.04)
VG 95343 T29A004A	155-61	31 (1.22)	18 (.71)	18 (.71)	7 (.28)	47 (1.85)	15 (.59)	18 (.71)	1.0 (.04)	3.3 (.13)	1.8 (.07)	1.0 (.04)
VG 95343 T29B004A	155-62	31 (1.22)	18 (.71)	18 (.71)	7 (.28)	67 (2.64)	35 (1.38)	18 (.71)	1.0 (.04)	3.3 (.13)	1.8 (.07)	1.0 (.04)

OPTIONAL FILLER PORT DETAIL

SPEC.	PART No.	RECOVERED DIMENSIONS	
		X	Y
		$\pm 20\%$	$\pm 20\%$
-	155-12	25 (.98)	32 (1.26)
VG 95343 T07A004A	155-41	12 (.47)	25 (.98)
VG 95343 T07B004A	155-42	25 (.98)	32 (1.26)
-	155-51	12 (.47)	25 (.98)
-	155-52	25 (.98)	32 (1.26)
-	155-53	25 (.98)	32 (1.26)
-	155-61	12 (.47)	25 (.98)
-	155-62	25 (.98)	32 (1.26)

OPTION TO STANDARD PART FILLER PORT (CODE P)



For information only, not subject to technical changes.

2	P1329	G.B.	11/10/10
1	P1195	S.Almond	14/04/08
ISSUE	NOTE No.	DRAWN	DATE

**HellermannTyton**

Pennycross Close, Plymouth, Devon, England  
Tel ++44 (0) 1752 701261 Fax ++44 (0) 1752 790058

NAME	S.Almond	SCALE	NTS	ADHESIVE	A3	SHT. 1
DATE	14/04/08	DIMS IN	mm (in)		ORIGINAL SHEET SIZE 420mm x 297mm	OF 1 SHTS.
TITLE	BOTTLE SLEEVE		PART No.	DRAWING No.		
			155	152086		