


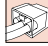
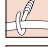

### Inspired by reliability

One of the best ways to keep your customers happy is to provide them with products that make their job easier. At construction sites everywhere, we kept seeing skilled electrical engineers losing time and having a tough job connecting cables. Simply because there wasn't a product on the market that allowed them to do their job safely, reliably and faster. That's where the story of RELICON cable joints begins. What they do is link maximum protection and reliability in just a fraction of the time. Our high-quality, efficient and safe RELICON cable joints and other installation products can be used in industrial buildings, outdoors, underground or submerged.

**Join the ranks of satisfied electrical engineers and find the right connection for your needs in our separate RELICON catalogue at [www.HellermannTyton.co.uk/RELICON](http://www.HellermannTyton.co.uk/RELICON)**





|   |  |     |
|---|--|-----|
|  | 4.1 Electrical and Technical Tapes ..... | 394 |
|  | 4.2 Wire Connectors .....                | 414 |
|  | 4.3 Cable Rods .....                     | 418 |
|  | 4.4 Downlight Covers.....                | 420 |

© September 2017





#### 4.1 Electrical and Technical Tapes

| <b>Vinyl Electrical Tapes</b>          |                                |     |
|--|--------------------------------|-----|
| All Purpose Electrical Tape            | HelaTape Flex 15               | 394 |
| For Higher Mechanical Requirements     | HelaTape Flex 20               | 396 |
|  | HelaTape Flex 25               | 396 |
| Premium Electrical Tape                | HelaTape Flex 1000+            | 397 |
| Premium Heavy Duty Electrical Tape     | HelaTape Flex 2000+            | 398 |
| Corrosion Protection Tape              | HelaTape Wrap 25               | 399 |
| <b>Conductive Tapes</b>                |                                |     |
| Electrical Semi-Conducting Tape        | HelaTape Shield 310            | 400 |
| <b>Self-amalgamating Tapes</b>         |                                |     |
| Low Voltage Rubber Tape                | HelaTape Power 600             | 401 |
| Electrical Insulation Mastic           | HelaTape Power 650             | 402 |
| Rubber Mastic Tape                     | HelaTape Power 660 RM          | 403 |
| Vinyl Mastic Tape                      | HelaTape Power 670 VM          | 404 |
| Medium Voltage Rubber Tape (Linerless) | HelaTape Power 715             | 405 |
| Silicone Rubber Tape                   | HelaTape Power 800             | 406 |
| High Voltage Rubber Tape               | HelaTape Power 810             | 407 |
|  | HelaTape Power 820 (Linerless) | 408 |

#### Technical Tapes

| Vinyl Bundling Tape                 | HelaTape Allround 1500 | 409 |
|-------------------------------------|------------------------|-----|
| Cloth Tape                          | HelaTape Tex           | 410 |
| <b>Wire Harness Tapes</b>           |                        |     |
| Hand-tearable Cloth Tape            | Protect 180            | 411 |
| Strong, High Temperature Cloth Tape | Protect 250            | 412 |
| Soft and Flexible Fleece Tape       | Protect 300            | 413 |



## 4.2 Wire Connectors

### Connectors

|                           |                         |     |
|---------------------------|-------------------------|-----|
| For all Types of Wire     | HelaCon Plus Releasable | 414 |
| HelaCon-Series            | HelaCon Plus Mini       | 415 |
| For Lighting Installation | HelaCon Lux             | 416 |



## 4.3 Cable Rods

### Cable Installation System

|                  |                          |     |
|------------------|--------------------------|-----|
| Cable Rod System | Cable Scout+ Sets        | 418 |
|                  | Cable Scout+ Pairs       | 418 |
|                  | Cable Scout+ Accessories | 419 |



## 4.4 Downlight Covers

### Downlight covers

|   |                  |     |
|---|------------------|-----|
|   | SpotClip-I       | 420 |
|   | SpotClip-II      | 422 |
| Downlight Covers -<br>For Residential Buildings | SpotClip-III     | 424 |
|   | SpotClip-IV-Slim | 426 |
|   | SpotClip-Box     | 428 |
|   | SpotClip-Kit     | 430 |
| Downlight Covers -<br>For Industrial Buildings  | SpotClip-Plate   | 432 |
|   | SpotClip-Caps    | 434 |



## HelaTape

HellermannTyton offers a comprehensive range of vinyl, rubber and cloth tapes for bundling, insulating, fixing, sealing and marking applications around all kinds of electrical applications. Vinyl electrical tapes are designed for low voltage applications and available in different dimensions and colours. Rubber tapes are suitable for sealing and insulating cables and splices in low, medium and high voltage applications. HelaTape cloth tapes are extremely strong and ideal for identification, fixing, bundling and repair purposes. HelaTape Protect is used to build professional cable and wiring harnesses.

### Vinyl Electrical Tapes – Commercial Grade Vinyl Electrical Tape

#### HelaTape Flex 15

##### Features and benefits

- Vinyl electrical tape in many different colours
- Used for insulation, protection, fixing, maintenance, colour coding and more
- Good resistance to abrasion, sunlight, moisture, chemicals and varying weather conditions
- Highly flexible with outstanding adhesion performance
- Harnessing of wires and cables
- Suitable for mechanical and electrical applications up to 1 kV
- VDE approved according to IEC 60454-3-1-6/F-PVCP/90
- Flame retardant according to IEC 60454-2



HelaTape Flex 15 is a commercial grade, weather resistant vinyl tape.

|                              |                         |
|------------------------------|-------------------------|
| <b>MATERIAL</b>              | Polyvinylchloride (PVC) |
| <b>Dielectric Strength</b>   | 45 kV/mm                |
| <b>Adhesion to Steel</b>     | 2.2 N/10 mm             |
| <b>Adhesion to Backing</b>   | 2.0 N/10 mm             |
| <b>Elongation at break</b>   | 200 %                   |
| <b>Breaking Strength</b>     | 28 N/10 mm              |
| <b>Operating Temperature</b> | -10 °C to +90 °C        |



| TYPE               | Thickness (T) | Width (W) | Length (L) | Colour  | Article-No. |
|--------------------|---------------|-----------|------------|---|-------------|
| HTAPE-FLEX15-15x10 | 0.15          | 15.0      | 10.0 m     | Black (BK)  | 710-00104   |
|                    | 0.15          | 15.0      | 10.0 m     | Blue (BU)   | 710-00100   |
|                    | 0.15          | 15.0      | 10.0 m     | Brown (BN)  | 710-00107   |
|                    | 0.15          | 15.0      | 10.0 m     | Green (GN)  | 710-00103   |
|                    | 0.15          | 15.0      | 10.0 m     | Green-Yellow (GNYE)   | 710-00106   |
|                    | 0.15          | 15.0      | 10.0 m     | Grey (GY)   | 710-00108   |
|                    | 0.15          | 15.0      | 10.0 m     | Orange (OG)   | 710-00110   |
|                    | 0.15          | 15.0      | 10.0 m     | Red (RD)  | 710-00101   |
|                    | 0.15          | 15.0      | 10.0 m     | Red (RD), Grey (GY), Yellow (YE), Green (GN), Blue (BU), Orange (OG), White (WH), Brown (BN), Black (BK), Green-Yellow (GNYE) | 710-00146   |
|                    | 0.15          | 15.0      | 10.0 m     | Transparent (CL)  | 710-00147   |
|                    | 0.15          | 15.0      | 10.0 m     | Violet (VT)   | 710-00109   |
|                    | 0.15          | 15.0      | 10.0 m     | White (WH)  | 710-00105   |
|                    | 0.15          | 15.0      | 10.0 m     | Yellow (YE)   | 710-00102   |

All dimensions in mm. Subject to technical changes.  
Minimum Order Quantity (MOQ) may differ from package content.



For product specific approvals and specifications please refer to the Appendix.





### Vinyl Electrical Tapes – Commercial Grade Vinyl Electrical Tape

#### HTape Flex 15

| TYPE                      | Thickness (T) | Width (W) | Length (L) | Colour              | Article-No. |
|---------------------------|---------------|-----------|------------|---------------------|-------------|
| <b>HTAPE-FLEX15-15x25</b> | 0.15          | 15.0      | 25.0 m     | Black (BK)          | 710-00115   |
| <b>HTAPE-FLEX15-19x20</b> | 0.15          | 19.0      | 20.0 m     | Black (BK)          | 710-00155   |
|                           | 0.15          | 19.0      | 20.0 m     | Blue (BU)           | 710-00151   |
|                           | 0.15          | 19.0      | 20.0 m     | Brown (BN)          | 710-00158   |
|                           | 0.15          | 19.0      | 20.0 m     | Green (GN)          | 710-00154   |
|                           | 0.15          | 19.0      | 20.0 m     | Green-Yellow (GNYE) | 710-00157   |
|                           | 0.15          | 19.0      | 20.0 m     | Grey (GY)           | 710-00159   |
|                           | 0.15          | 19.0      | 20.0 m     | Red (RD)            | 710-00152   |
|                           | 0.15          | 19.0      | 20.0 m     | Violet (VT)         | 710-00160   |
|                           | 0.15          | 19.0      | 20.0 m     | White (WH)          | 710-00156   |
|                           | 0.15          | 19.0      | 20.0 m     | Yellow (YE)         | 710-00153   |
| <b>HTAPE-FLEX15-19x25</b> | 0.15          | 19.0      | 25.0 m     | Black (BK)          | 710-00126   |
| <b>HTAPE-FLEX15-25x25</b> | 0.15          | 25.0      | 25.0 m     | Black (BK)          | 710-00137   |
|                           | 0.15          | 25.0      | 25.0 m     | Blue (BU)           | 710-00133   |
|                           | 0.15          | 25.0      | 25.0 m     | Brown (BN)          | 710-00140   |
|                           | 0.15          | 25.0      | 25.0 m     | Green (GN)          | 710-00136   |
|                           | 0.15          | 25.0      | 25.0 m     | Green-Yellow (GNYE) | 710-00139   |
|                           | 0.15          | 25.0      | 25.0 m     | Grey (GY)           | 710-00141   |
|                           | 0.15          | 25.0      | 25.0 m     | Red (RD)            | 710-00134   |
|                           | 0.15          | 25.0      | 25.0 m     | White (WH)          | 710-00138   |
|                           | 0.15          | 25.0      | 25.0 m     | Yellow (YE)         | 710-00135   |

All dimensions in mm. Subject to technical changes.  
Minimum Order Quantity (MOQ) may differ from package content.



For product specific approvals and specifications please refer to the Appendix.



Add items to your watchlist!

[www.HT.click/49-395](http://www.HT.click/49-395)





### Vinyl Electrical Tapes – Insulating Tape for Higher Mechanical Requirements

#### HelaTape Flex 20



HelaTape Flex 20 - Additional thickness allows for quicker layering.

#### Features and benefits

- Vinyl electrical tape with strong rubber adhesive
- Suitable for mechanical and electrical applications up to 1 kV
- Additional thickness for quicker layering and higher abrasion resistance
- Weather resistant
- Flame retardant according to UL 510 Standard

|                              |                         |
|------------------------------|-------------------------|
| <b>MATERIAL</b>              | Polyvinylchloride (PVC) |
| <b>Dielectric Strength</b>   | 40 kV/mm                |
| <b>Adhesion to Steel</b>     | 2.5 N/10 mm             |
| <b>Adhesion to Backing</b>   | 2.5 N/10 mm             |
| <b>Elongation at break</b>   | 240 %                   |
| <b>Breaking Strength</b>     | 40 N/10 mm              |
| <b>Operating Temperature</b> | -10 °C to +105 °C       |

RoHS ✓

### Vinyl Electrical Tapes – Insulating Tape for Higher Mechanical Requirements

#### HelaTape Flex 25



HelaTape Flex 25 for higher abrasion resistance.

#### Features and benefits

- Vinyl film coated with high quality rubber adhesive
- Extra high material thickness
- Highly resistant to sun, water, oil, acids, alkalis, corrosive chemicals
- Used for insulation, protection, fixing, maintenance and more
- Superior vinyl tape with excellent all-weather performance
- Flame retardant according to UL 510 Standard

|                              |                         |
|------------------------------|-------------------------|
| <b>MATERIAL</b>              | Polyvinylchloride (PVC) |
| <b>Dielectric Strength</b>   | 45 kV/mm                |
| <b>Adhesion to Steel</b>     | 2.6 N/10 mm             |
| <b>Adhesion to Backing</b>   | 2.6 N/10 mm             |
| <b>Elongation at break</b>   | 240 %                   |
| <b>Breaking Strength</b>     | 46 N/10 mm              |
| <b>Operating Temperature</b> | -10 °C to +90 °C        |

RoHS ✓

#### HelaTape Flex 20

| TYPE               | Thickness (T) | Width (W) | Length (L) | Colour     | Article-No. |
|--------------------|---------------|-----------|------------|------------|-------------|
| HTAPE-FLEX20-19x20 | 0.20          | 19.0      | 20.0 m     | Black (BK) | 710-10300   |

All dimensions in mm. Subject to technical changes. Minimum Order Quantity (MOQ) may differ from package content.



For product specific approvals and specifications please refer to the Appendix.

#### HelaTape Flex 25

| TYPE               | Thickness (T) | Width (W) | Length (L) | Colour     | Article-No. |
|--------------------|---------------|-----------|------------|------------|-------------|
| HTAPE-FLEX25-19x33 | 0.25          | 19.0      | 33.0 m     | Black (BK) | 710-00450   |
| HTAPE-FLEX25-38x33 | 0.25          | 38.0      | 33.0 m     | Black (BK) | 710-00451   |

All dimensions in mm. Subject to technical changes. Minimum Order Quantity (MOQ) may differ from package content.



For product specific approvals and specifications please refer to the Appendix.



Add items to your watchlist!

[www.HT.click/49-396](http://www.HT.click/49-396)





## Vinyl Electrical Tapes – Premium Vinyl Electrical Tape

### HelaTape Flex 1000+

#### Features and benefits

- All-weather, highly flexible, professional grade, self-adhesive vinyl electrical tape
- Excellent performance and durability over wide temperature range from -18°C to +105°C according to CSA C22.2
- VDE approved according to IEC 60454-3-1-7/F-PVCP/90
- Used for insulation, protection, fixing, maintenance, colour coding and more
- Pressure sensitive high quality rubber based adhesive
- Performs continuously at low temperature environment
- Excellent resistance to abrasion, moisture, chemicals, corrosion and UV exposure
- Primary electrical insulation for all wire and cable splices up to 1 kV
- Protective jacketing for low, medium and high voltage splices and repairs
- Flame retardant according to UL 510 Standard
- For indoor and outdoor applications
- Size 19 mm x 20 m is single packed in a plastic can, only 710-10601 comes in a pack of 10 pcs



HelaTape Flex 1000+ provides excellent low temperature performance.

|                              |                         |
|------------------------------|-------------------------|
| <b>MATERIAL</b>              | Polyvinylchloride (PVC) |
| <b>Dielectric Strength</b>   | 45 kV/mm                |
| <b>Adhesion to Steel</b>     | 3.0 N/10 mm             |
| <b>Adhesion to Backing</b>   | 2.7 N/10 mm             |
| <b>Elongation at break</b>   | 300 %                   |
| <b>Breaking Strength</b>     | 35 N/10 mm              |
| <b>Operating Temperature</b> | -18 °C to +105 °C       |



| TYPE                              | Thickness (T) | Width (W) | Length (L) | Colour              | Article-No. |
|-----------------------------------|---------------|-----------|------------|---------------------|-------------|
| <b>HTAPE-FLEX1000+ 19x6</b>       | 0.18          | 19.0      | 6.0 m      | Black (BK)          | 710-10600   |
| <b>HTAPE-FLEX1000+ 19x20</b>      | 0.18          | 19.0      | 20.0 m     | Black (BK)          | 710-10602   |
| <b>HTAPE-FLEX1000+ 19x20 PACK</b> | 0.18          | 19.0      | 20.0 m     | Black (BK)          | 710-10601   |
| <b>HTAPE-FLEX1000+ C 19x20</b>    | 0.18          | 19.0      | 20.0 m     | Blue (BU)           | 710-10603   |
|                                   | 0.18          | 19.0      | 20.0 m     | Brown (BN)          | 710-10608   |
|                                   | 0.18          | 19.0      | 20.0 m     | Green (GN)          | 710-10606   |
|                                   | 0.18          | 19.0      | 20.0 m     | Green-Yellow (GNYE) | 710-10612   |
|                                   | 0.18          | 19.0      | 20.0 m     | Grey (GY)           | 710-10609   |
|                                   | 0.18          | 19.0      | 20.0 m     | Red (RD)            | 710-10604   |
|                                   | 0.18          | 19.0      | 20.0 m     | White (WH)          | 710-10607   |
|                                   | 0.18          | 19.0      | 20.0 m     | Yellow (YE)         | 710-10605   |
| <b>HTAPE-FLEX1000+ 19x33</b>      | 0.18          | 19.0      | 33.0 m     | Black (BK)          | 710-10610   |
| <b>HTAPE-FLEX1000+ 50x33</b>      | 0.18          | 50.0      | 33.0 m     | Black (BK)          | 710-10611   |

All dimensions in mm. Subject to technical changes.  
Minimum Order Quantity (MOQ) may differ from package content.



For product specific approvals and specifications please refer to the Appendix.



Add items to your watchlist!

[www.HT.click/49-397](http://www.HT.click/49-397)







## Vinyl Electrical Tapes – Premium Heavy Duty Vinyl Electrical Tape

### HeLaTape Flex 2000+

#### Features and benefits

- All-weather, highly flexible, professional grade, self-adhesive vinyl electrical tape with higher thickness for more mechanical and electrical protection
- Excellent performance and durability over wide temperature range from -18 °C to +105 °C according to CSA C22.2
- Pressure sensitive and aggressive high quality rubber based adhesive
- Performs continuously at low temperature environment
- Flame retardant according to UL 510 Standard
- Excellent resistance to abrasion, moisture, chemicals, corrosion and UV exposure
- Primary electrical insulation for all wire and cable splices up to 1 kV



HeLaTape Flex 2000+ is the best choice for professional installation.

|                              |                         |
|------------------------------|-------------------------|
| <b>MATERIAL</b>              | Polyvinylchloride (PVC) |
| <b>Dielectric Strength</b>   | 40 kV/mm                |
| <b>Adhesion to Steel</b>     | 3.0 N/10 mm             |
| <b>Adhesion to Backing</b>   | 2.4 N/10 mm             |
| <b>Elongation at break</b>   | 300 %                   |
| <b>Breaking Strength</b>     | 40 N/10 mm              |
| <b>Operating Temperature</b> | -18 °C to +105 °C       |

RoHS

| TYPE                 | Thickness (T) | Width (W) | Length (L) | Colour     | Article-No. |
|----------------------|---------------|-----------|------------|------------|-------------|
| HTAPE-FLEX2000+19x20 | 0.21          | 19.0      | 20.0 m     | Black (BK) | 710-10701   |
| HTAPE-FLEX2000+38x20 | 0.21          | 38.0      | 20.0 m     | Black (BK) | 710-10705   |

All dimensions in mm. Subject to technical changes.  
Minimum Order Quantity (MOQ) may differ from package content.



For product specific approvals and specifications please refer to the Appendix.



Add items to your watchlist!

[www.HT.click/49-398](http://www.HT.click/49-398)



### Vinyl Electrical Tapes – Vinyl Tape for Corrosion Protection

#### HelaTape Wrap 25

#### Features and benefits

- Special adhesive with excellent protection against corrosion
- Complete environmental, mechanical and electrical protection
- Highly resistant to UV, water, oil, most chemicals, bacteria and fungus
- Used for pipes, tubes, and conduits in outside and underground applications



*HelaTape Wrap 25 protects against all types of corrosion.*

|                              |                         |
|------------------------------|-------------------------|
| <b>MATERIAL</b>              | Polyvinylchloride (PVC) |
| <b>Dielectric Strength</b>   | 40 kV/mm                |
| <b>Adhesion to Steel</b>     | 2.2 N/10 mm             |
| <b>Adhesion to Backing</b>   | 2.0 N/10 mm             |
| <b>Elongation at break</b>   | 200 %                   |
| <b>Breaking Strength</b>     | 44 N/10 mm              |
| <b>Operating Temperature</b> | -10 °C to +90 °C        |



| TYPE                | Thickness (T) | Width (W) | Length (L) | Colour     | Article-No. |
|---------------------|---------------|-----------|------------|------------|-------------|
| HTAPE-WRAP25-25x30  | 0.25          | 25.0      | 30.0 m     | Black (BK) | 710-10800   |
| HTAPE-WRAP25-50x30  | 0.25          | 50.0      | 30.0 m     | Black (BK) | 710-10802   |
| HTAPE-WRAP25-100x30 | 0.25          | 100.0     | 30.0 m     | Black (BK) | 710-10803   |

All dimensions in mm. Subject to technical changes.  
Minimum Order Quantity (MOQ) may differ from package content.



For product specific approvals and specifications please refer to the Appendix.



Add items to your watchlist!

[www.HT.click/49-399](http://www.HT.click/49-399)





## Conductive Tapes – Electrical Semi-Conducting Tape

### HelaTape Shield 310

#### Features and benefits

- Self-amalgamating conducting tape made from ethylene propylene rubber
- Provides good conducting properties
- Prevents partial discharges
- Moisture and UV-resistant and easy to apply
- Guidance and/or finishing of the semiconductive layer in case of repairs and connections of medium to high voltage cables.



*HelaTape Shield 310 self-amalgamating conducting tape for shielding high-voltage splices and terminations.*

|   |                                 |
|---|---------------------------------|
| <b>MATERIAL</b>                           | Ethylene Propylene Rubber (EPR) |
| <b>Operating Temperature</b>              | -40 °C to +90 °C                |
| <b>Intermittent Operating Temperature</b> | +130 °C                         |
| <b>Water Absorption</b>                   | 0.02 %                          |
| <b>Tensile Strength</b>                   | 2.0 MPa                         |
| <b>Elongation at break</b>                | 600 %                           |
| <b>Volume Resistance</b>                  | 870 Ω cm                        |

HF ✓

RoHS ✓

| TYPE            | Thickness (T) | Width (W) | Length (L) | Colour     | Article-No. |
|-----------------|---------------|-----------|------------|------------|-------------|
| HTAPE-SHIELD310 | 0.76          | 19.0      | 4.6 m      | Black (BK) | 711-10000   |
|                 | 0.76          | 38.0      | 9.1 m      | Black (BK) | 711-10001   |

All dimensions in mm. Subject to technical changes.  
Minimum Order Quantity (MOQ) may differ from package content.





### Self-amalgamating Tapes – Low Voltage Rubber Tape

#### Helatape Power 600

#### Features and benefits

- Self-amalgamating low voltage rubber tape
- Primary insulation at not more than 1 kV
- Easily suitable to irregular shapes and surfaces
- Compatible with all extruded dielectric cable insulations
- Weather resistant and flame retardant according to UL 510
- Excellent for repairing e.g. damaged cable sheaths against moisture ingress, where finishing with some layers of Helatape Flex will do the mechanical protection.



Helatape Power 600 is a self-amalgamating low-voltage rubber tape.

|   |                     |
|---|---------------------|
| <b>MATERIAL</b>                           | Natural Rubber (NR) |
| <b>Operating Temperature</b>              | -40 °C to +80 °C    |
| <b>Intermittent Operating Temperature</b> | +95 °C              |
| <b>Tensile Strength</b>                   | 2 N/mm <sup>2</sup> |
| <b>Elongation at break</b>                | 300 %               |
| <b>Dielectric Strength</b>                | 14 kV/mm            |



| TYPE                  | Thickness (T) | Width (W) | Length (L) | Colour     | Article-No. |
|-----------------------|---------------|-----------|------------|------------|-------------|
| HTAPE-POWER600-19x6.7 | 0.76          | 19.0      | 6.7 m      | Black (BK) | 711-10200   |
| HTAPE-POWER600-38x6.7 | 0.76          | 38.0      | 6.7 m      | Black (BK) | 711-10201   |

All dimensions in mm. Subject to technical changes.  
Minimum Order Quantity (MOQ) may differ from package content.



For product specific approvals and specifications please refer to the Appendix.



Add items to your watchlist!

[www.HT.click/49-401](http://www.HT.click/49-401)





## Self-amalgamating Tapes – Electrical Insulation Mastic

### Helatape Power 650

#### Features and benefits

- Self-amalgamating insulation compound for sealing and padding cable jackets up to 1 kV
- Easily moulded by hand to conform to irregular shapes even during low temperatures
- Permanently elastic and resistant to ageing
- Perfect adhesion to metal and all types of cable insulations and jackets
- Provides excellent moisture sealing
- Resistant to salt water, ozone, oil and corrosive chemicals
- Excellent for repairing e.g. damaged cable sheaths against moisture ingress, where finishing with some layers of Helatape Flex will do the mechanical protection



[www.HellermannTyton.co.uk/HelaTape-cat22](http://www.HellermannTyton.co.uk/HelaTape-cat22)



*Helatape Power self-amalgamating mastic is highly flexible.*

|   |  |
|---|--|
| <b>MATERIAL</b>                           | Isobutene-Isoprene-Rubber (butyl rubber) (IIR) |
| <b>Operating Temperature</b>              | -10 °C to +105 °C                              |
| <b>Intermittent Operating Temperature</b> | +130 °C  |
| <b>Water Absorption</b>                   | 0.1 %  |
| <b>Volume Resistance</b>                  | 10 <sup>15</sup> Ω cm                          |
| <b>Dielectric Strength</b>                | 19.7 kV/mm                                     |



| TYPE           | Thickness (T) | Width (W) | Length (L) | Colour     | Article-No. |
|----------------|---------------|-----------|------------|------------|-------------|
| HTAPE-POWER650 | 3.20          | 38.0      | 1.5 m      | Black (BK) | 711-10300   |

All dimensions in mm. Subject to technical changes.  
Minimum Order Quantity (MOQ) may differ from package content.





### Self-amalgamating Tapes – Rubber Mastic Tape

#### Helatape Power 660 RM

#### Features and benefits

- Self-amalgamating rubber mastic tape
- EPR backing coated with a tacky, temperature-stable mastic adhesive
- Designed for electrical insulating and moisture sealing applications
- Can be used as cable jacket replacement
- Perfect adhesion and sealing for copper and aluminium wires
- Easily suitable to irregular shapes and surfaces
- Compatible with all extruded cable insulations
- UV, moisture, corrosion and chemical resistant
- Primary electrical insulation for bus bar connections rated up to 35 kV
- Excellent for repairing e.g. damaged cable sheaths against moisture ingress, where finishing with some layers of Helatape Flex will do the mechanical protection



*Helatape Power 660 is a very flexible rubber mastic sealing and padding tape.*

|   |   |
|---|---|
| <b>MATERIAL</b>                           | Ethylene Propylene Rubber (EPR), Isobutene-Isoprene-Rubber (butyl rubber) (IIR) |
| <b>Operating Temperature</b>              | -30 °C to +90 °C  |
| <b>Intermittent Operating Temperature</b> | +130 °C   |
| <b>Water Absorption</b>                   | 0.1 %   |
| <b>Tensile Strength</b>                   | 1.5 N/mm <sup>2</sup>   |
| <b>Dielectric Strength</b>                | 19.7 kV/mm  |



| TYPE               | Thickness (T) | Width (W) | Length (L) | Colour     | Article-No. |
|--------------------|---------------|-----------|------------|------------|-------------|
| HTAPE-POWER 660-RM | 1.65          | 50.8      | 3.0 m      | Black (BK) | 711-00307   |

All dimensions in mm. Subject to technical changes.  
Minimum Order Quantity (MOQ) may differ from package content.



Add items to your watchlist!

[www.HT.click/49-403](http://www.HT.click/49-403)





## Self-amalgamating Tapes – Vinyl Mastic Tape

### HelaTape Power 670 VM

#### Features and benefits

- Easy to apply vinyl mastic tape
- Self-adhesive application - without stretching
- Mastic layer is very sticky and provides excellent moisture sealing
- Vinyl top layer provides additional protection
- Performs continuously. Even at low temperatures
- Primary insulation up to 1 kV
- Applicable to all extruded cable insulations
- UV and weather resistant



HelaTape Power 670 provides additional vinyl film protection to the mastic compound.

|   |   |
|---|---|
| <b>MATERIAL</b>                           | Polyvinylchloride (PVC), Isobutene-Isoprene-Rubber (butyl rubber) (IIR) |
| <b>Operating Temperature</b>              | -30 °C to +80 °C  |
| <b>Intermittent Operating Temperature</b> | +95 °C  |
| <b>Water Absorption</b>                   | 0.9 %   |
| <b>Tensile Strength</b>                   | 16 N/mm <sup>2</sup>  |
| <b>Elongation at break</b>                | 200 %   |
| <b>Volume Resistance</b>                  | 10 <sup>12</sup> Ω cm   |
| <b>Dielectric Strength</b>                | 19.7 kV/mm  |

HF ✓

RoHS ✓

| TYPE               | Thickness (T) | Width (W) | Length (L) | Colour     | Article-No. |
|--------------------|---------------|-----------|------------|------------|-------------|
| HTAPE-POWER 670-VM | 1.20          | 100.0     | 3.0 m      | Black (BK) | 711-00304   |

All dimensions in mm. Subject to technical changes.  
Minimum Order Quantity (MOQ) may differ from package content.





### Self-amalgamating Tapes – Medium Voltage Rubber Tape (Linerless)

#### HelaTape Power 715

The rubber-based self-amalgamating linerless tape is used for electrical insulation, protection, sealing, splicing and termination of cables up to 35 kV. The special material comes without a separating liner and reduces therefore the time required to apply the tape. It features with excellent UV, moisture, corrosion, ozone and chemical resistance. HelaTape Power 715 is compatible with all extruded dielectric cable insulations.

#### Features and benefits

- Rubber-based self-amalgamating linerless tape
- Used for waterproof sealing and corrosion protection of cables
- Excellent electrical insulation and weather protection
- Time saving application without liner
- The lack of liner causes less waste
- Easy to apply and very flexible



HelaTape Power 715 allows quicker layering due to the linerless composition.

|   |                                 |
|---|---------------------------------|
| <b>MATERIAL</b>                           | Ethylene Propylene Rubber (EPR) |
| <b>Operating Temperature</b>              | +90 °C                          |
| <b>Intermittent Operating Temperature</b> | +130 °C                         |
| <b>Water Absorption</b>                   | 0.06 %                          |
| <b>Tensile Strength</b>                   | 2.1 N/mm <sup>2</sup>           |
| <b>Elongation at break</b>                | 700 %                           |
| <b>Volume Resistance</b>                  | 10 <sup>16</sup> Ω cm           |
| <b>Dielectric Strength</b>                | 30 kV/mm                        |



| TYPE                 | Thickness (T) | Width (W) | Length (L) | Colour     | Article-No. |
|----------------------|---------------|-----------|------------|------------|-------------|
| HTAPE-POWER715-19x10 | 0.50          | 19.0      | 10.0 m     | Black (BK) | 711-00311   |

All dimensions in mm. Subject to technical changes.  
Minimum Order Quantity (MOQ) may differ from package content.



Add items to your watchlist!

[www.HT.click/49-405](http://www.HT.click/49-405)







## Self-amalgamating Tapes – Silicone Rubber Tape

### HelaTape Power 800

#### Features and benefits

- Self-amalgamating and self-cleaning, chemically cross-linked silicone rubber tape
- Triangular cross-section with centre line for precise half-overlapping
- Resistant to creepage and surface erosion
- Fuses into solid mass after application
- Weather, UV and oil resistant
- Recommended use for high temperature silicone insulated cables and outdoor machinery and transformers



HelaTape Power 800 is a silicone rubber tape with triangular cross-section.

|   |                       |
|---|-----------------------|
| <b>MATERIAL</b>                           | Silicone (SI)         |
| <b>Operating Temperature</b>              | -54 °C to +180 °C     |
| <b>Intermittent Operating Temperature</b> | +260 °C               |
| <b>Tensile Strength</b>                   | 7.0 N/mm <sup>2</sup> |
| <b>Elongation at break</b>                | 400 %                 |
| <b>Volume Resistance</b>                  | 10 <sup>14</sup> Ω cm |
| <b>Dielectric Strength</b>                | 23.5 kV/mm            |

HF ✓

RoHS ✓

| TYPE           | Thickness (T) | Width (W) | Length (L) | Colour    | Article-No. |
|----------------|---------------|-----------|------------|-----------|-------------|
| HTAPE-POWER800 | 0.51          | 25.0      | 9.1 m      | Grey (GY) | 711-10400   |

All dimensions in mm. Subject to technical changes.  
Minimum Order Quantity (MOQ) may differ from package content.





### Self-amalgamating Tapes – High Voltage Rubber Tape

#### HelaTape Power 810

#### Features and benefits

- Self-amalgamating tape for insulating and jacketing splices up to 69 kV
- Halogen-free with outstanding corona, ozone and UV-resistance
- Ideal for sealing of terminations, electrical connections and cable jacket repair
- Void-free, electrically stable layering
- Protects e.g. bus bars against corrosion and contact
- Excellent moisture, corrosion and chemical resistance
- Compatible with all extruded cable insulations



HelaTape Power 810 for primary insulation up to 69 kV.

|   |                                 |
|---|---------------------------------|
| <b>MATERIAL</b>                           | Ethylene Propylene Rubber (EPR) |
| <b>Operating Temperature</b>              | +90 °C                          |
| <b>Intermittent Operating Temperature</b> | +130 °C                         |
| <b>Water Absorption</b>                   | 0.06 %                          |
| <b>Tensile Strength</b>                   | 2.4 N/mm <sup>2</sup>           |
| <b>Elongation at break</b>                | 750 %                           |
| <b>Volume Resistance</b>                  | 10 <sup>16</sup> Ω cm           |
| <b>Dielectric Strength</b>                | 30 kV/mm                        |

HF ✓

RoHS ✓

| TYPE           | Thickness (T) | Width (W) | Length (L) | Colour     | Article-No. |
|----------------|---------------|-----------|------------|------------|-------------|
| HTAPE-POWER810 | 0.76          | 19.0      | 9.1 m      | Black (BK) | 711-10401   |

All dimensions in mm. Subject to technical changes.  
Minimum Order Quantity (MOQ) may differ from package content.



Add items to your watchlist!  
[www.HT.click/49-407](http://www.HT.click/49-407)



## Self-amalgamating Tapes – High Voltage Rubber Tape (Linerless)

### HelaTape Power 820

#### Features and benefits

- Self-amalgamating, linerless tape for insulating and jacketing splices up to 69 kV
- Excellent electrical, chemical and physical properties
- Building stress cones and jacketing of terminations, bus bars and joints
- Quicker application due to linerless design
- The lack of liner causes less waste
- Uniform and void-free layering
- Very flexible to conform to the most complex shapes
- Compatible with all extruded cable insulations



The high-voltage tape HelaTape Power 820 yields a uniform and void-free build-up.

|   |                                 |
|---|---------------------------------|
| <b>MATERIAL</b>                           | Ethylene Propylene Rubber (EPR) |
| <b>Operating Temperature</b>              | -30 °C to +90 °C                |
| <b>Intermittent Operating Temperature</b> | +130 °C                         |
| <b>Water Absorption</b>                   | 0.06 %                          |
| <b>Tensile Strength</b>                   | 2.8 N/mm <sup>2</sup>           |
| <b>Elongation at break</b>                | 750 %                           |
| <b>Volume Resistance</b>                  | 10 <sup>16</sup> Ω cm           |
| <b>Dielectric Strength</b>                | 31.5 kV/mm                      |

RoHS

| TYPE           | Thickness (T) | Width (W) | Length (L) | Colour     | Article-No. |
|----------------|---------------|-----------|------------|------------|-------------|
| HTAPE-POWER820 | 0.76          | 19.0      | 9.1 m      | Black (BK) | 711-10402   |

All dimensions in mm. Subject to technical changes.  
Minimum Order Quantity (MOQ) may differ from package content.





### Technical Tapes – Vinyl Bundling Tape

#### HelaTape Allround 1500

Allround 1500 – Electricians Duct Tape is designed for bundling, holding, fixing and maintenance applications. It can be also used as temporary surface protection of steel and aluminium parts.

#### Features and benefits

- Vinyl film coated with high quality rubber adhesive
- Excellent performance and durability
- Easy to tear
- No cloth – does not absorb water
- Used for bundling, holding, fixing and maintenance
- This product has no electrical insulating properties



*HelaTape Allround 1500 – universal and very strong vinyl bundling tape.*

|                              |                         |
|------------------------------|-------------------------|
| <b>MATERIAL</b>              | Polyvinylchloride (PVC) |
| <b>Adhesion to Steel</b>     | 1.5 N/10 mm             |
| <b>Adhesion to Backing</b>   | 1.5 N/10 mm             |
| <b>Elongation at break</b>   | 150 %                   |
| <b>Operating Temperature</b> | -10 °C to +90 °C        |



| TYPE               | Thickness (T) | Width (W) | Length (L) | Colour    | Article-No. |
|--------------------|---------------|-----------|------------|-----------|-------------|
| HTAPE-ALLROUND1500 | 0.15          | 51.0      | 46.0 m     | Grey (GY) | 710-01000   |

All dimensions in mm. Subject to technical changes.  
Minimum Order Quantity (MOQ) may differ from package content.



For product specific approvals and specifications please refer to the Appendix.



Add items to your watchlist!

[www.HT.click/49-409](http://www.HT.click/49-409)





## Technical Tapes – Cloth Tape

### HelaTape Tex

#### Features and benefits

- High quality PE-coated cloth tape with good weather resistance
- Total thickness of 0.31 mm for high tensile strength
- Highly tear-resistant in longitudinal direction
- Easy to tear-off by hand in transverse direction
- Matt surface finish for use in stage constructions and for exhibitions to avoid light reflections
- Useful for various applications like bundling, fixing, identification, marking and protection
- HelaTape Tex can be removed without residues due to high quality rubber based adhesive



HelaTape Tex is available in various colours and sizes.

|                              |                  |
|------------------------------|------------------|
| <b>MATERIAL</b>              | Cotton (CO)      |
| <b>Operating Temperature</b> | -30 °C to +80 °C |
| <b>Adhesion to Backing</b>   | 3.0 N/10 mm      |
| <b>Elongation at break</b>   | 10 %             |
| <b>Breaking Strength</b>     | 64 N/10 mm       |

HF ✓

RoHS ✓

| TYPE            | Thickness (T) | Width (W) | Length (L) | Colour      | Article-No. |
|-----------------|---------------|-----------|------------|-------------|-------------|
| HTAPE-TEX-19x10 | 0.31          | 19.0      | 10.0 m     | Black (BK)  | 712-00204   |
|                 | 0.31          | 19.0      | 10.0 m     | Blue (BU)   | 712-00200   |
|                 | 0.31          | 19.0      | 10.0 m     | Green (GN)  | 712-00203   |
|                 | 0.31          | 19.0      | 10.0 m     | Grey (GY)   | 712-00206   |
|                 | 0.31          | 19.0      | 10.0 m     | Red (RD)    | 712-00201   |
|                 | 0.31          | 19.0      | 10.0 m     | White (WH)  | 712-00205   |
|                 | 0.31          | 19.0      | 10.0 m     | Yellow (YE) | 712-00202   |
| HTAPE-TEX-19x50 | 0.31          | 19.0      | 50.0 m     | Black (BK)  | 712-00504   |
|                 | 0.31          | 19.0      | 50.0 m     | Blue (BU)   | 712-00500   |
|                 | 0.31          | 19.0      | 50.0 m     | Green (GN)  | 712-00503   |
|                 | 0.31          | 19.0      | 50.0 m     | Grey (GY)   | 712-00506   |
|                 | 0.31          | 19.0      | 50.0 m     | Red (RD)    | 712-00501   |
|                 | 0.31          | 19.0      | 50.0 m     | White (WH)  | 712-00505   |
|                 | 0.31          | 19.0      | 50.0 m     | Yellow (YE) | 712-00502   |
| HTAPE-TEX-50x50 | 0.31          | 50.0      | 50.0 m     | Black (BK)  | 712-00904   |
|                 | 0.31          | 50.0      | 50.0 m     | Blue (BU)   | 712-00900   |
|                 | 0.31          | 50.0      | 50.0 m     | Green (GN)  | 712-00903   |
|                 | 0.31          | 50.0      | 50.0 m     | Grey (GY)   | 712-00906   |
|                 | 0.31          | 50.0      | 50.0 m     | Red (RD)    | 712-00901   |
|                 | 0.31          | 50.0      | 50.0 m     | White (WH)  | 712-00905   |
|                 | 0.31          | 50.0      | 50.0 m     | Yellow (YE) | 712-00902   |

All dimensions in mm. Subject to technical changes.  
Minimum Order Quantity (MOQ) may differ from package content.





### Wire Harness Tape – Hand-tearable Cloth Tape

#### Helatape Protect 180

#### Features and benefits

- High quality polyester fabric harnessing tape
- Rubber-based adhesive offers very good heat and media resistance
- High temperature stability from -40 °C to +125 °C
- Temperature resistance tested according to LV312
- Very good resistance against abrasion
- Material is very flexible and tearable by hand
- Excellent ageing resistance, and resistant to rotting in wet or damp conditions such as e.g. white goods and automotive, etc.



Helatape Protect 180 is very flexible and used for cable harnessing.

|                              |                   |
|------------------------------|-------------------|
| <b>MATERIAL</b>              | Polyester (PET)   |
| <b>Operating Temperature</b> | -40 °C to +125 °C |
| <b>Adhesion to Steel</b>     | 3.0 N/10 mm       |
| <b>Adhesion to Backing</b>   | 3.0 N/10 mm       |
| <b>Elongation at break</b>   | 15 %              |
| <b>Breaking Strength</b>     | 65 N/10 mm        |



| TYPE             | Thickness (T) | Width (W) | Length (L) | Colour     | Article-No. |
|------------------|---------------|-----------|------------|------------|-------------|
| HTAPE-PROTECT180 | 0.18          | 19.0      | 25.0 m     | Black (BK) | 712-10002   |

All dimensions in mm. Subject to technical changes.  
Minimum Order Quantity (MOQ) may differ from package content.



Add items to your watchlist!  
[www.HT.click/49-411](http://www.HT.click/49-411)





## Wire Harness Tape – Strong, High Temperature Cloth Tape

### HelaTape Protect 250

#### Features and benefits

- High temperature polyester fabric harnessing tape
- Special acrylate-based adhesive offers very good heat and media resistance
- Very high temperature stability from -40 °C to +150 °C
- Temperature and humidity resistance tested according to LV312
- Very good resistance against abrasion
- Material is very flexible and easy to handle
- Provides long term reliability under varying and extreme environmental conditions
- Excellent ageing resistance, and resistant to rotting in wet or damp conditions such as e.g. white goods and automotive, etc.



*HelaTape Protect 250 is designed for cable harnessing and offers a very high temperature resistance.*

|                              |                   |
|------------------------------|-------------------|
| <b>MATERIAL</b>              | Polyester (PET)   |
| <b>Operating Temperature</b> | -40 °C to +150 °C |
| <b>Adhesion to Steel</b>     | 2.5 N/10 mm       |
| <b>Adhesion to Backing</b>   | 2.0 N/10 mm       |
| <b>Elongation at break</b>   | 15 %              |
| <b>Breaking Strength</b>     | 180 N/10 mm       |

HF ✓

RoHS ✓

| TYPE             | Thickness (T) | Width (W) | Length (L) | Colour     | Article-No. |
|------------------|---------------|-----------|------------|------------|-------------|
| HTAPE-PROTECT250 | 0.25          | 19.0      | 25.0 m     | Black (BK) | 712-10003   |

All dimensions in mm. Subject to technical changes.  
Minimum Order Quantity (MOQ) may differ from package content.





### Wire Harness Tape – Soft and Flexible Fleece Tape

#### HelaTape Protect 300

#### Features and benefits

- Soft polyester fleece harnessing tape
- High noise reduction and very high resistance against abrasion
- Synthetic rubber based adhesive offers good heat and media resistance
- High temperature stability from -40 °C to +105 °C
- Material is very flexible and tearable by hand
- Excellent ageing resistance, and resistant to rotting in wet or damp conditions such as e.g. white goods and automotive, etc.



*HelaTape Protect 300 provides high noise reduction and media resistance.*

|                              |  |
|------------------------------|--|
| <b>MATERIAL</b>              | Polyester (PET)                        |
| <b>Operating Temperature</b> | -40 °C to +105 °C, (+105 °C for 500 h) |
| <b>Adhesion to Steel</b>     | 2.0 N/10 mm                            |
| <b>Adhesion to Backing</b>   | 2.0 N/10 mm                            |
| <b>Elongation at break</b>   | 10 %                                   |
| <b>Breaking Strength</b>     | 30 N/10 mm                             |



| TYPE             | Thickness (T) | Width (W) | Length (L) | Colour     | Article-No. |
|------------------|---------------|-----------|------------|------------|-------------|
| HTAPE-PROTECT300 | 0.30          | 19.0      | 25.0 m     | Black (BK) | 712-10001   |

All dimensions in mm. Subject to technical changes.  
Minimum Order Quantity (MOQ) may differ from package content.

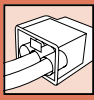


Add items to your watchlist!

[www.HT.click/49-413](http://www.HT.click/49-413)







## Connectors - For all Types of Wire

### HelaCon Plus Releasable

The HelaCon Plus Releasable connectors are used for all types of wire to connect cable and conductors in the field of electrical installation. The connectors can be used in all kinds of junction boxes either on-wall or flush-mounted. HelaCon offers the best possible solution when convenient processing and maximum safety is required.

#### Features and benefits

- Universal push-in wire connector for solid, stranded and fine-stranded wires
- Compact size connector
- Wire clamping range: 0.2 - 4.0 mm<sup>2</sup>
- Separate voltage test entry on the top
- For proper fixing that can be visually checked through transparent housing
- Safe application, installation and maintenance



[www.HellermannTyton.co.uk/HelaCon-Plus-Releasable-cat22](http://www.HellermannTyton.co.uk/HelaCon-Plus-Releasable-cat22)



HelaCon Plus Releasable Box and Blister 2.

|   |  |
|---|--|
| <b>MATERIAL</b>                           | Polycarbonate (PC)                           |
| <b>Max Current</b>                        | 32 A   |
| <b>Max Voltage</b>                        | 450 V  |
| <b>Wire Range (VDE) in mm<sup>2</sup></b> | 0.2 to 4.0 mm <sup>2</sup> all types of wire |
| <b>Stripping Length</b>                   | 10 mm  |
| <b>Flammability</b>                       | UL 94 V0                                     |
| <b>Operating Temperature</b>              | -30 °C to +85 °C                             |

HF ✓

RoHS ✓

| TYPE           | Drawing | Number of Conductors | Colour           | Width (W) | Height (H) | Length (L) | Pack Cont. | Article-No. |
|----------------|---------|----------------------|------------------|-----------|------------|------------|------------|-------------|
| HCRN-2-Blister |         | 2                    | Transparent (CL) | 20.5      | 14.0       | 12.0       | 10 pcs.    | 148-90062   |
| HCRN-2         |         | 2                    | Transparent (CL) | 20.5      | 14.0       | 12.0       | 80 pcs.    | 148-90059   |
| HCRN-3-Blister |         | 3                    | Transparent (CL) | 20.5      | 14.0       | 17.0       | 8 pcs.     | 148-90063   |
| HCRN-3         |         | 3                    | Transparent (CL) | 20.5      | 14.0       | 17.0       | 50 pcs.    | 148-90060   |
| HCRN-5-Blister |         | 5                    | Transparent (CL) | 20.5      | 14.0       | 26.0       | 5 pcs.     | 148-90064   |
| HCRN-5         |         | 5                    | Transparent (CL) | 20.5      | 14.0       | 26.0       | 30 pcs.    | 148-90061   |

All dimensions in mm. Subject to technical changes.  
Minimum Order Quantity (MOQ) may differ from package content.



For product specific approvals and specifications please refer to the Appendix.



Add items to your watchlist!

[www.HT.click/49-414](http://www.HT.click/49-414)





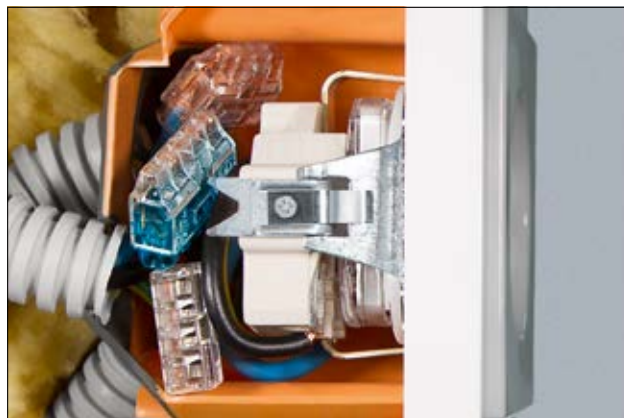
### Connectors - For Solid and Stranded Wires

#### HelaCon Plus Mini

HelaCon connectors are used for fast, easy and reliable connection and distribution of cable and conductors in electrical installation applications. The new generation of HelaCon Plus Mini wire connectors can be applied tool-free using the push-in technology. HelaCon Plus Mini uses a double spring which is approved for solid and stranded wires.

#### Features and benefits

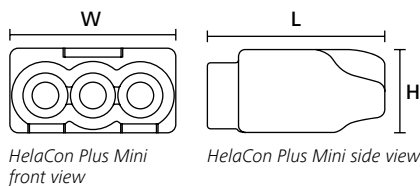
- 40 % smaller – Space saving design
- Low insertion force – Easy to use, saves time on installation
- Easy access to voltage test entry and innovative port shape design
- Correct installation can be visually checked through transparent housing
- Different colour codes for easy identification of size
- Allows different conductor diameters in each entry
- Safe application, installation and maintenance
- Practical Variobox with 350 pcs. of selected HCPM wire connectors available (148-90046)



HelaCon Plus Mini fits perfect in every space limited situation.



[www.HellermannTyton.co.uk/HelaConPlus-cat22](http://www.HellermannTyton.co.uk/HelaConPlus-cat22)



|   |  |       |
|---|--|-------|
| <b>MATERIAL</b>                           | Polycarbonate (PC)   |       |
| <b>Max Current</b>                        | 24 A   |       |
| <b>Max Voltage</b>                        | 450 V  | 600 V |
| <b>Wire Range (VDE) in mm<sup>2</sup></b> | 0.5 to 2.5 mm <sup>2</sup> solid wires / 1.0 to 2.5 mm <sup>2</sup> stranded wires |       |
| <b>Stripping Length</b>                   | 11 mm  |       |
| <b>Flammability</b>                       | UL 94 V0   |       |
| <b>Operating Temperature</b>              | -30 °C to +85 °C   |       |



| TYPE              | Drawing | Number of Conductors | Colour                        | Width (W) | Height (H) | Length (L) | Pack Cont. | Article-No. |
|-------------------|---------|----------------------|-------------------------------|-----------|------------|------------|------------|-------------|
| HCPM-2-Blister    |         | 2                    | Transparent (CL), Yellow (YE) | 10.8      | 7.7        | 16.5       | 20 pcs.    | 148-90054   |
| HCPM-2            |         | 2                    | Transparent (CL), Yellow (YE) | 10.8      | 7.7        | 16.5       | 150 pcs.   | 148-90036   |
| HCPM-3            |         | 3                    | Orange (OG), Transparent (CL) | 15.1      | 7.7        | 16.5       | 100 pcs.   | 148-90037   |
| HCPM-3-Blister    |         | 3                    | Transparent (CL), Orange (OG) | 15.1      | 7.7        | 16.5       | 18 pcs.    | 148-90055   |
| HCPM-4-Blister    |         | 4                    | Transparent (CL)              | 19.4      | 7.7        | 16.5       | 10 pcs.    | 148-90056   |
| HCPM-4            |         | 4                    | Transparent (CL)              | 19.4      | 7.7        | 16.5       | 100 pcs.   | 148-90038   |
| HCPM-5-Blister    |         | 5                    | Transparent (CL), Blue (BU)   | 23.7      | 7.7        | 16.5       | 10 pcs.    | 148-90057   |
| HCPM-5            |         | 5                    | Transparent (CL), Blue (BU)   | 23.7      | 7.7        | 16.5       | 75 pcs.    | 148-90039   |
| HCPM-6            |         | 6                    | Transparent (CL), Violet (VT) | 28.0      | 7.7        | 16.5       | 50 pcs.    | 148-90040   |
| HCPM-8            |         | 8                    | Transparent (CL), Black (BK)  | 36.6      | 7.7        | 16.5       | 50 pcs.    | 148-90041   |
| HCPM Variobox 350 |         | -                    | Transparent (CL)              | -         | 7.7        | 16.5       | 350 pcs.   | 148-90046   |

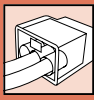
All dimensions in mm. Subject to technical changes. Minimum Order Quantity (MOQ) may differ from package content.



For product specific approvals and specifications please refer to the Appendix.



Add items to your watchlist!  
[www.HT.click/49-415](http://www.HT.click/49-415)



## Connectors - For Lighting Installation

### HelaCon Lux

A typical application is lighting installation, where the solid conductor from concealed cabling has to be connected to a flexible conductor for lighting. The 2/1 variant allows the looping through of the supply lines for additional devices.

The conductor on the output/lighting side can easily be inserted by pressing the locking mechanism and can be released in the same way at any time. The lighting side can carry any kind of conductor and makes HelaCon Lux connectors also useful to connect devices that carry flexible connecting cables like control devices e.g. for blinds, fans and other drives.

### Features and benefits

- Best suitable to connect solid with flexible wire
- Combines push-in connector with lock/unlock spring mechanism
- For fine-stranded conductors at lighting input
- Use with typical voltage current of 450 V / 24 A
- Either one or two inputs for solid conductor on installation side
- Very flexible application
- Tool-free application for easy, time-saving, safe connection
- Especially for overhead work and when wires are difficult to access

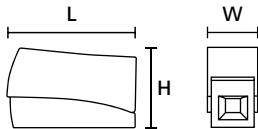


Quick installation and release of lighting devices with HelaCon Lux.

|   |   |
|---|---|
| <b>MATERIAL</b>                           | Polyamide 6.6 (PA66)                      |
| <b>Max Current</b>                        | 24 A                                      |
| <b>Max Voltage</b>                        | 450 V                                     |
| <b>Wire Range (VDE) in mm<sup>2</sup></b> | 0.5 mm <sup>2</sup> - 2.5 mm <sup>2</sup> |
| <b>Stripping Length</b>                   | 11 mm                                     |
| <b>Flammability</b>                       | UL 94 V2                                  |
| <b>Operating Temperature</b>              | -5 °C to +100 °C                          |

HF ✓

RoHS ✓



HelaCon Lux side view

HelaCon Lux front view



[www.HellermannTyton.co.uk/HelaConLux-cat22](http://www.HellermannTyton.co.uk/HelaConLux-cat22)

| TYPE             | Drawing | Number of Conductors | Colour     | Width (W) | Height (H) | Length (L) | Pack Cont. | Article-No. |
|------------------|---------|----------------------|------------|-----------|------------|------------|------------|-------------|
| HECL-1/1         |         | 2                    | Grey (GY)  | 8.1       | 15.8       | 20.8       | 100 pcs.   | 148-90022   |
| HECL-2/1-Blister |         | 3                    | White (WH) | 9.5       | 15.8       | 20.8       | 10 pcs.    | 148-90058   |
| HECL-2/1         |         | 3                    | White (WH) | 9.5       | 15.8       | 20.8       | 100 pcs.   | 148-90023   |

All dimensions in mm. Subject to technical changes.  
Minimum Order Quantity (MOQ) may differ from package content.



For product specific approvals and specifications please refer to the Appendix.



Add items to your watchlist!

[www.HT.click/49-416](http://www.HT.click/49-416)

The most  
effective way  
to do it,  
is to do it.

MADE FOR REAL 





### Cable Installation System - Cable Scout+

#### Cable Scout+ Rod Sets

Cable Scout+ is a professional cable routing tool which enables installers to easily route cables, saving time, even with the most challenging installations. The rods are manufactured from high quality Glass Reinforced Plastic (GRP), which enables a load carrying capacity of up to 200 kg. Cable Scout+ offers a range of features which allows the installer to illuminate, grip, inspect and retrieve by using the range of accessories. Cable Scout+ is supplied in a useful durable bag which contains the rods and accessories all in one place.

#### Features and benefits

- Professional cable installation tool
- Enables time savings to be achieved even with challenging installations
- Rods manufactured from high quality Glass Reinforced Plastic (GRP)
- Load carrying capacity of 200 kg
- Range of accessories enabling the installer to illuminate, grip inspect and retrieve.
- Rods & accessories contained in a useful durable storage bag



All components stored neat and tidy with the Cable Scout+ Deluxe set.



Basic Set.



Handy Set.

| TYPE  | Description  | Content Rods  | Rod Capacity (m) | Content Accessories   | Article-No. |
|-------|--|---|------------------|---|-------------|
| CS-SB | Basic Set: designed to perform basic cable installation                            | 10 rods x 1 m (white)   | 10.0 m           | 15 cm white flexi lead, gender changer, tuff hook, mini eye   | 897-90000   |
| CS-SD | Deluxe Set: the most comprehensive set aimed for carrying out larger installations | 2 rods x 1 m (white)<br>6 rods x 1 m (red)<br>2 rods x 1 m (blue)     | 10.0 m           | 15 cm white flexi lead, split ring, gender changer, tuff hook, mini eye, domed bullet, flat bullet, beam, single magnet | 897-90001   |
| CS-SH | Handy Set: made up for fitting in a tool box                                       | 1 rod x 40 cm (white)<br>2 rods x 40 cm (red)<br>1 rod x 40 cm (blue) | 1.6 m            | 40 cm white flexi lead, domed bullet, mini hook, mini eye   | 897-90003   |

Subject to technical changes.

### Cable Installation System - Cable Scout+

#### Cable Scout+ Rod Pairs



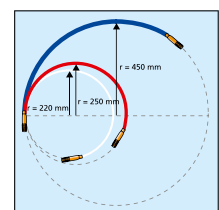
[www.HellermannTyton.co.uk/CableScout-cat22](http://www.HellermannTyton.co.uk/CableScout-cat22)



Overview of the rods selection.

| TYPE  | Content Rods               | Flexibility    | Ø (D) | Article-No. |
|-------|----------------------------|----------------|-------|-------------|
| CS-P6 | One pair of 1 m blue rods  | strong         | 6.0   | 897-90007   |
| CS-PN | One pair of 1 m nylon rods | fully flexible | 5.0   | 897-90008   |
| CS-P5 | One pair of 1 m red rods   | medium         | 5.0   | 897-90006   |
| CS-P4 | One pair of 1 m white rods | flexible       | 4.0   | 897-90005   |

All dimensions in mm. Subject to technical changes.



Overview on Cable Scout+ marginal bending radii.





### Cable Installation System - Cable Scout+

#### Cable Scout+ Accessories

Cable Scout+ is supplied with a range of useful standard accessories. Additional accessories can be purchased separately. Cable Grips are designed to grip objects and provide reliable and time saving method of securing cables & pipes to the rods. Just open the grip by compressing the braid, push the grip over the cable or pipe and release the grip, which will contract and establish a tight grip on the cable or pipe to the rod set.

#### Features and benefits

- Accessory kit includes a lot of useful tools
- User can inspect and retrieve
- Cable grips allows a very fast way to pull cables
- Whisk glides smoothly over obstacles
- Strong magnet lifts metallic tools up to 2.5 kg weight



Cable Grips are available in five different sizes to attach a wide range of cable diameters.



Cable Scout+ and Grip.



The whisk allows the rod to glide over obstructions easily.



Cable Pulling Lubricant reduces friction during the installation of cables.

| TYPE       | Drawing | Description  | Article-No. |
|------------|---------|--|-------------|
| CS-SA      |         | Accessory Kit: Includes a 15 cm long flexi lead, gender changer, mini hook, tuff hook, mini eye, split ring, round bullet, flat bullet, single magnet, chain | 897-90004   |
| CS-ACG1630 |         | Cable Grip: Suitable for diameter 1.6 - 3.0 cm   | 897-90027   |
| CS-ACG0415 |         | Cable Grip: Suitable for diameters 0.4 - 1.5 cm  | 897-90026   |
| CS-AWL     |         | Large whisk: designed to glide over more uneven surfaces such as roof tiles.   | 897-90019   |
| CS-AW      |         | Whisk: Enables cables to glide over rough and uneven surfaces.   | 897-90018   |
| CS - CPL   |         | Cable pulling lubricant: provides reliable protection against cable jacket damage by reducing the frictional resistance up to 80 %.                          | 897-90031   |

Subject to technical changes.



Add items to your watchlist!

[www.HT.click/49-419](http://www.HT.click/49-419)





### Downlight Covers - For Residential Buildings

#### SpotClip-I

SpotClip-I is a unique product that has been developed for mounting down lights in dry mortarless construction and acoustic construction applications.

The innovative, 4-leg ceiling brace has a number of outstanding features and is suitable for use in both panelling and plasterboard.

SpotClip-I consists of non-flammable, fibreglass reinforced polyamide and offers a number of thermal and mechanical benefits and can even be installed retrospectively.

As a result, it opens up a variety of possibilities for applications in both old and new buildings.

SpotClip-I can be used in ceiling cavities with diameters of 62 to 90 mm.

SpotClip-I ensures that a safe distance is kept between the down light, insulation foil and roof insulation.

It reduces the risk of damage being caused to any insulation material as a result of overheating and heat accumulation and may also have a positive effect on the life time of the lamp.



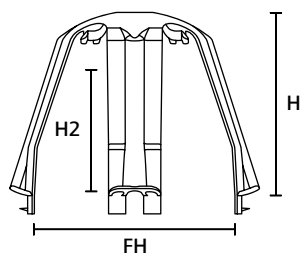
[www.HellermannTyton.co.uk/SpotClip-I-cat22](http://www.HellermannTyton.co.uk/SpotClip-I-cat22)



SpotClip-II ensures reliability and safety of lighting installations.



Optimization of 4 fastening feet.



SpotClip-I

|                              |   |
|------------------------------|---|
| <b>MATERIAL</b>              | Polyamide 6.6, glass-fibre reinforced (PA66GF15%)       |
| <b>Operating Temperature</b> | -20 °C to +120 °C                                       |
| <b>Flammability</b>          | UL94 V0 at 1.5mm thickness, Glow Wire Test (GWT) 960 °C |



| TYPE       | Hole Ø (FH) min. | Hole Ø (FH) max. | Height (H) | Height (H2) | Colour     | Pack Cont. | Article-No. |
|------------|------------------|------------------|------------|-------------|------------|------------|-------------|
| SpotClip-I | 62.0             | 90.0             | 82.0       | 70.0        | Black (BK) | 10 pcs.    | 148-00076   |

All dimensions in mm. Subject to technical changes.  
Minimum Order Quantity (MOQ) may differ from package content.





## Downlight Covers - For Residential Buildings

### SpotClip-I

#### Features and benefits

- Mount down lights in dry, mortarless construction and acoustic construction
- Innovative, 4-leg ceiling spacer
- Suitable for both panelling and plasterboard
- Non-flammable, fibreglass reinforced polyamide
- Thermal and mechanical benefits
- Can be installed after construction, useful for both old and new buildings
- Use in ceiling cavities 62-90 mm in diameter
- Keeps safe distance between down light, insulation foil and roof insulation
- Reduces risk of damage to insulation from overheating, heat accumulation
- Improves life span and reliability of lamps
- Tested according to EN 60598-1, EN 60598-2-2, and NF C 15100



Cable retainers on the heat protection top hold the supply cable in place.



Additional retaining spikes prevent movement during mounting.



Bearing wings ensure that the spacer locates securely on the plasterboard.



1. Use the delivered tool to install SpotClip in the fixing hole as easy as possible.



2. Push the spikes into the plasterboard to prevent shifting and disconnect the tool.



3. Start the installation of the downlight in a safe way.

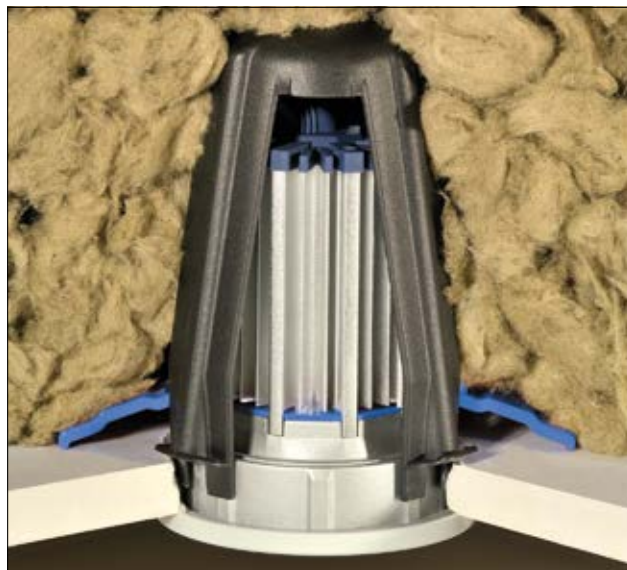




### Downlight Covers - For Residential Buildings

#### SpotClip-II

SpotClip-II has been developed for use with large LED spotlights. Additional, flexible legs allow use with blown-in insulation material. The legs can be easily removed to facilitate cable installation. The downlight cover can be inserted easily into the ceiling cavity and offers valuable savings on installation time. SpotClip creates a reliable gap between the light bulb and the insulation material, reducing the risk of overheating and heat accumulation.



The additional 4 legs on SpotClip-II allow use with blown-in cavity insulation.



[www.HellermannTyton.co.uk/SpotClip2-cat22](http://www.HellermannTyton.co.uk/SpotClip2-cat22)

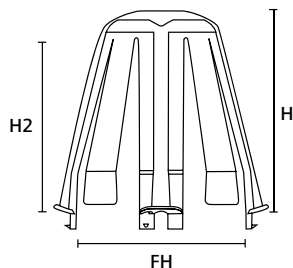


SpotClip-II downlight cover with 4 additional flexible legs.



SpotClip-II shown using standard insulation wool.

|                              |   |
|------------------------------|---|
| <b>MATERIAL</b>              | Polyamide 6.6, glass-fibre reinforced (PA66GF15%)       |
| <b>Operating Temperature</b> | -20 °C to +120 °C                                       |
| <b>Flammability</b>          | UL94 V0 at 1.5mm thickness, Glow Wire Test (GWT) 960 °C |



SpotClip-II

| TYPE        | Hole Ø (FH) min. | Hole Ø (FH) max. | Height (H) | Height (H2) | Colour     | Pack Cont. | Article-No. |
|-------------|------------------|------------------|------------|-------------|------------|------------|-------------|
| SpotClip-II | 62.0             | 90.0             | 107.0      | 95.0        | Black (BK) | 10 pcs.    | 148-00098   |

All dimensions in mm. Subject to technical changes. Minimum Order Quantity (MOQ) may differ from package content.





### Downlight Covers - For Residential Buildings

#### SpotClip-II

##### Features and benefits

- SpotClip-II has been developed for bulbs up to 95 mm height
- Ensures safety distance between downlight, damp-proof foil and insulation material
- Flexible installation during or after construction
- Additional spikes at the end of the legs prevent SpotClip shifting
- Suitable for fixing into holes from 62 - 90 mm diameter
- Remains rigid even at higher temperatures
- Flame retardant material according to UL94-V0
- Improves life span and reliability of lamps
- Tested according to EN 60598-1, EN 60598-2-2, and NF C 15100



SpotClip-I and SpotClip-II for maximum downlight heights of 70 mm and 95 mm respectively.



Retaining spikes and support wings hold SpotClip-II in the required position.



1. Use the delivered tool to install SpotClip-II in the fixing hole as easy as possible.



2. Push the spikes into the plasterboard to prevent shifting and disconnect the tool.



3. Start the installation of the downlight in a safe way.



### Downlight Covers - For Residential Buildings

#### SpotClip-III

This further development of SpotClip-II allows the use of an existing power supply. In the case of a spot without power supply, this added straight leg can be cut easily and removed manually. It helps to avoid contact between the insulation and the external power supply of the spot. SpotClip-III will fit to all standard applications with solid insulation material. It is delivered flat with flexible legs. They can be locked within seconds. The height of the this mounting device is depending on the fixing hole diameter. SpotClip-III is suitable for LED and Halogen downlights with a fixing hole diameter from 62 mm to 120 mm. The maximum product height is 130 mm depending on the fixing hole diameter.



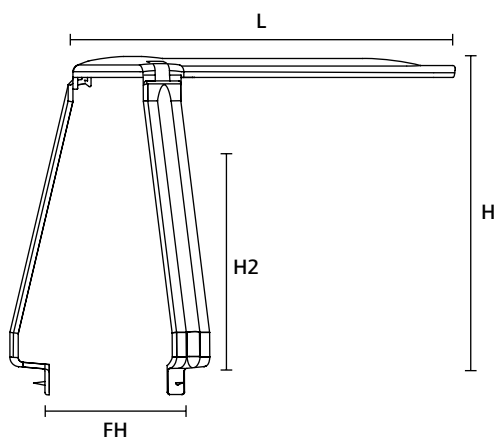
SpotClip-III for downlight application with external power supply.



[www.HellermannTyton.co.uk/SpotClip3-cat22](http://www.HellermannTyton.co.uk/SpotClip3-cat22)



SpotClip-III downlight cover- Easy-to-mount legs with one click folding function.



SpotClip-III

|                              |   |
|------------------------------|---|
| <b>MATERIAL</b>              | Polyamide 6.6, heat stabilised (PA66HS)                   |
| <b>Operating Temperature</b> | -40 °C to +105 °C, (+105 °C for 500 h)                    |
| <b>Flammability</b>          | UL 94 V2, self-extinguishing, Glow Wire Test (GWT) 960 °C |



| TYPE         | Hole Ø (FH) min. | Hole Ø (FH) max. | Height (H)* | Height (H2)* | Length (L) | Colour     | Pack Cont. | Article-No. |
|--------------|------------------|------------------|-------------|--------------|------------|------------|------------|-------------|
| SpotClip-III | 62.0             | 120.0            | 130.0       | 115.0        | 160.0      | Black (BK) | 5 pcs.     | 148-00121   |

All dimensions in mm. Subject to technical changes. Minimum Order Quantity (MOQ) may differ from package content. \* For fixing hole diameter 65 mm.



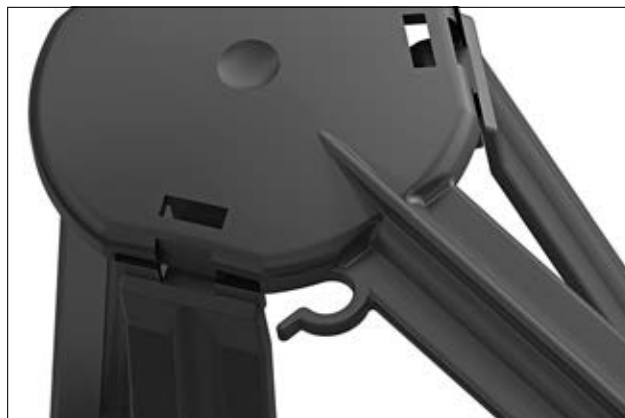


## Downlight Covers - For Residential Buildings

### SpotClip-III

#### Features and benefits

- A mounting support for the external power supply unit provides more space for the downlight installation
- Ensures safety distance between the downlight, damp-proof foil and insulation material
- Flexible installation during or after construction
- Additional spikes at the end of the legs prevent SpotClip shifting
- Prevents damage to insulation material caused by overheating
- Flame retardant material according to UL94-V2
- Improves life span and reliability of lamps
- Faster and easier installation and replacement of lamps
- Tested according to EN 60598-1, EN 60598-2-2, and NF C 15100



One cable retainer to fix the power supply cable at the top.



Click and fix mounting mechanism for the 3 flexible legs.



New leg design combined with retaining spikes for high stability throughout installation.



1. Insert the mounting support through the fixing hole.



2. Press the spikes into the plasterboard to ensure stability of SpotClip-III.



3. Install the downlight.



4. Connect the power supply unit and fix the cable in the cable retainer.



### Downlight covers - For residential buildings

#### SpotClip-IV-Slim

The SpotClip-IV-Slim ensures a safety distance between downlight, damp-proof foil and insulation material and can thereby prevent the risk of overheating and premature deterioration of the lighting. It is developed for safe use and installation of ultra-flat LED lights and suitable for ceiling cut-outs with a recessed diameter of 73 to 83 mm. Four additional and flexible tabs prevent contact between loose insulation material and the luminaire, making it ideal for use with bulk and blown insulation materials. Removable tabs allow to accommodate a transformer or to facilitate cable installation. The SpotClip-IV-Slim can be installed during or after construction. It is tested according to EN 60598-1, EN 60598-2-2, and NF C 15100.

#### Features and benefits

- Adaptation and dimensioning to the booming LED lighting market
- Reduction of size of more than 50%
- Simplify installation in tight spaces
- Suitable only for extra flat LED recessed luminaires



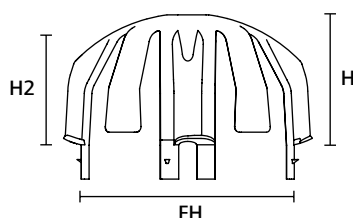
SpotClip-IV-Slim - Application with injected wool.



Application on the ceiling.



SpotClip-IV-Slim shown using standard insulation wool/ glass wool.



SpotClip-IV-Slim

|                              |   |
|------------------------------|---|
| <b>MATERIAL</b>              | Polyamide 6.6, glass-fibre reinforced (PA66GF15%)       |
| <b>Operating Temperature</b> | -20 °C to +120 °C                                       |
| <b>Flammability</b>          | UL94 V0 at 1.5mm thickness, Glow Wire Test (GWT) 960 °C |



| TYPE             | Hole Ø (FH) min. | Hole Ø (FH) max. | Height (H) | Height (H2) | Colour     | Pack Cont. | Article-No. |
|------------------|------------------|------------------|------------|-------------|------------|------------|-------------|
| SpotClip-IV-Slim | 73.0             | 83.0             | 50.0       | 43.0        | Black (BK) | 10 pcs.    | 148-00146   |

All dimensions in mm. Subject to technical changes.  
Minimum Order Quantity (MOQ) may differ from package content.



# The ideal insulating tape for 1001 very cold nights.

So cool. On icy construction sites that really put the endurance of people and materials to the test – that's where HelaTape Flex 1000+ premium insulating tape really shows its strengths. Developed and produced by us, it adheres despite condensation and stays pliable down to -18 °C. A low temperature record.

[www.HellermannTyton.co.uk/tape](http://www.HellermannTyton.co.uk/tape)

**MADE FOR REAL** 





### Downlight Covers - For Residential Buildings

#### SpotClip-Box

SpotClip-Box has been designed especially for passive houses. This innovative downlight cover prevents contact between insulation material and the bulb. The insulation remains continuous, thus avoiding any breach in the integrity of insulation in the passive house. SpotClip-Box is suitable for LED and compact fluorescent-lamp downlights with a diameter of up to 75 mm and a maximum height of 130 mm.

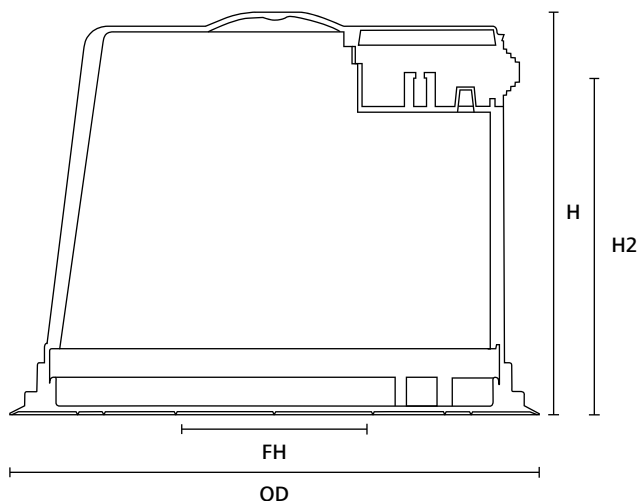
It is available as a complete kit, including HelaCon Lux wire connectors and all necessary mounting components.



SpotClip-Box - Especially designed for passive house applications.



View inside the SpotClip-Box.



SpotClip-Box

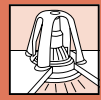
|                              |   |
|------------------------------|---|
| <b>MATERIAL</b>              | Polyamide 6.6, heat stabilised (PA66HS)                   |
| <b>Operating Temperature</b> | -40 °C to +105 °C, (+105 °C for 500 h)                    |
| <b>Flammability</b>          | UL 94 V2, self-extinguishing, Glow Wire Test (GWT) 960 °C |



| TYPE            | Hole Ø (FH) min. | Hole Ø (FH) max. | Height (H) | Height (H2) | Outside Ø (OD) | Colour     | Pack Cont. | Article-No. |
|-----------------|------------------|------------------|------------|-------------|----------------|------------|------------|-------------|
| SpotClip-Box FR | 75.0             | 75.0             | 140.0      | 130.0       | 184            | Black (BK) | 1 pc.      | 148-00123   |

All dimensions in mm. Subject to technical changes.  
Minimum Order Quantity (MOQ) may differ from package content.





### Downlight Covers - For Residential Buildings

#### SpotClip-Box

##### Features and benefits

- Suitable for all types of suspended ceilings and a variety of insulation materials
- Ensures safety distance between the downlight, damp-proof foil and insulation material
- Additional spikes at the bottom of the product prevent shifting during installation
- Connection without the need for screws, with HelaCon Lux connectors included
- Prevents damage to insulation material caused by overheating
- Improves life span and reliability of lamps
- Quick and easy one-click installation with bayonet mechanism
- Can also be used to install downlights and speakers in concrete ceilings constructed on-site
- Tested according to EN 60598-1, EN 60598-2-2, and NF C 15100



*SpotClip-Box is a downlight cover supplied as a complete kit.*



*HelaCon Lux connected to the power supply.*



*Seal the complete SpotClip-box using the end cap and grommet.*



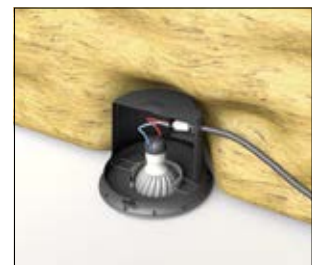
**1.** Mount the bottom plate over the drilled fixing hole and install the downlight housing.



**2.** Connect the power supply to the lamp socket with the HelaCon Lux wire connectors included and lock it with the bayonet coupling.



**3.** Connect the bulb to the socket and lock into the correct position.



**4.** Insulation material can now be applied.





### Downlight Covers - For Industrial Buildings

#### SpotClip-Kit

SpotClip-Kit has been designed for use primarily in industrial and office buildings for downlights with larger dimensions. The packaging kit consists of three legs and a mounting plate. The legs are available in two different lengths (150 mm and 240 mm). SpotClip-Kit has six selectable fixing positions in the mounting plate, making it suitable for downlights of differing dimensions. SpotClip-Kit 150 is suitable for downlights with a diameter from 100 mm up to 270 mm and with a maximum height of 140 mm. SpotClip-Kit 240 is suitable for downlights with a diameter from 170 mm up to 310 mm and with a maximum height of 230 mm. SpotClip-Kit can be combined with SpotClip-Plate.



SpotClip-Kit 150 used in a suspended ceiling.

|                              |   |
|------------------------------|---|
| <b>MATERIAL</b>              | Polyamide 6.6, heat stabilised (PA66HS)                   |
| <b>Operating Temperature</b> | -40 °C to +105 °C, (+105 °C for 500 h)                    |
| <b>Flammability</b>          | UL 94 V2, self-extinguishing, Glow Wire Test (GWT) 960 °C |



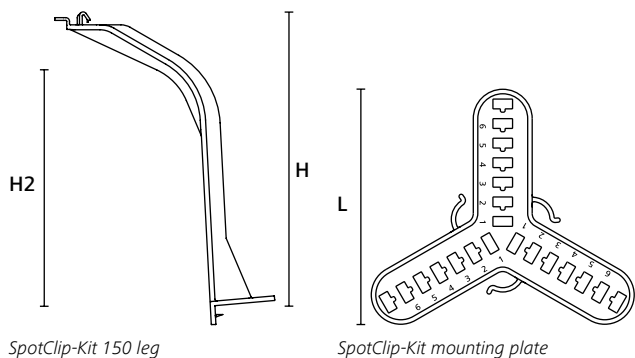
[www.HellermannTyton.co.uk/SpotClip-Kit-cat22](http://www.HellermannTyton.co.uk/SpotClip-Kit-cat22)



SpotClip-Kit 240 applied with a fixed sheet of insulating material.



SpotClip-Kit downlight cover is available in two sizes.



SpotClip-Kit 150 leg

SpotClip-Kit mounting plate

| TYPE             | Hole Ø (FH) min. | Hole Ø (FH) max. | Height (H) | Height (H2) | Length (L) | Colour     | Pack Cont. | Article-No. |
|------------------|------------------|------------------|------------|-------------|------------|------------|------------|-------------|
| SpotClip-Kit 150 | 100.0            | 270.0            | 157.0      | 140.0       | 120.0      | Black (BK) | 1 pc.      | 148-00119   |
| SpotClip-Kit 240 | 170.0            | 310.0            | 247.0      | 230.0       | 120.0      | Black (BK) | 1 pc.      | 148-00120   |

All dimensions in mm. Subject to technical changes. Minimum Order Quantity (MOQ) may differ from package content.





### Downlight Covers - For Industrial Buildings

#### SpotClip-Kit

#### Features and benefits

- Installation from the top or bottom in all types of suspended ceilings
- Ensures safety distance between downlight, damp-proof foil and insulation material
- Flexible installation during or after construction, suitable for use in existing and new buildings
- Additional spikes at the end of the legs prevents shifting during installation
- Intelligent cable routing with eyelet at the top
- Prevents damage to insulation material caused by overheating
- Heavy-duty leg design prevents long-term deformation
- Improves life span and reliability of the lamp
- Tested according to EN 60598-1, EN 60598-2-2, and NF C 15100

#### SpotClip-Kit 150

| Slot | Fixing hole diameter<br>Ø min. – Ø max. |
|------|---|
| 1    | 100–170                                 |
| 2    | 120–190                                 |
| 3    | 140–210                                 |
| 4    | 160–230                                 |
| 5    | 180–250                                 |
| 6    | 200–270                                 |

All dimensions in mm. Subject to technical changes.

#### SpotClip-Kit 240

| Slot | Fixing hole diameter<br>Ø min. – Ø max. |
|------|---|
| 1    | 170–210                                 |
| 2    | 190–230                                 |
| 3    | 210–250                                 |
| 4    | 230–270                                 |
| 5    | 250–290                                 |
| 6    | 270–310                                 |

All dimensions in mm. Subject to technical changes.



SpotClip-Kit 150 is used for fixing hole diameters from 100 mm to 270 mm.



SpotClip-Kit 240 is used for fixing hole diameters from 170 mm to 310 mm.



The feet position can be very easily adjusted using the click and release system.



A robust design combined with retaining spikes ensures high stability system.



SpotClip-Kit 150 is delivered as a self-assembly set.



SpotClip-Kit 240 is delivered as a self-assembly set.



1. Squeeze the legs and insert the SpotClip-Kit through the fixing hole.



2. Press the retaining spikes into the plasterboard to secure the legs.



3. Install the downlight according to the manufacturer's user manual.



4. Connect the downlight to the power supply and fix the cable into the routing eyelet.



### Downlight Covers - For Industrial Buildings

#### SpotClip-Plate

SpotClip-Plate has been developed especially for installation in suspended grid ceilings in order to avoid damage and cracks in the ceiling plates caused by the weight of heavy downlights. The product dimensions of 592 mm x 592 mm mean that it fits perfectly into standard grid ceilings with a width of 600 mm. The pre-cut design makes it suitable for installation of the most commonly used downlights with a diameter from 75 mm to 314 mm.

Please check if your grid ceiling size corresponds to the side length of 600 mm. Depending on the manufacturer and country this can vary between 600 mm and 625 mm.



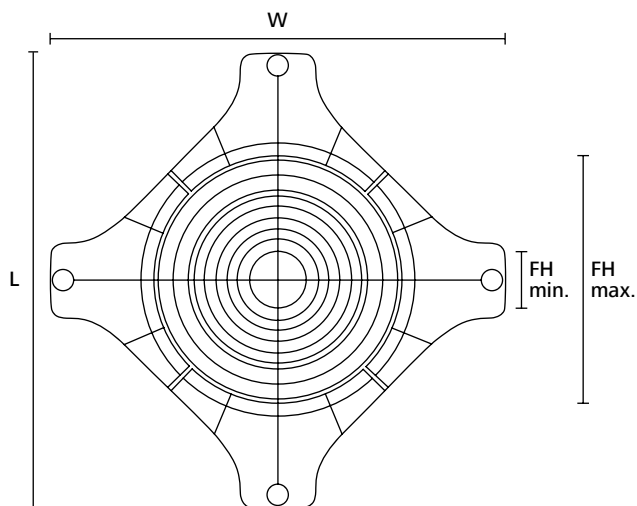
SpotClip-Plate has been developed for applications with heavy downlights in suspended grid ceilings.



[www.HellermannTyton.co.uk/SpotClip-Plate-cat22](http://www.HellermannTyton.co.uk/SpotClip-Plate-cat22)



SpotClip-Plate fits perfect into standard grid ceilings with a width of 600 mm.



SpotClip-Plate

|                              |   |
|------------------------------|---|
| <b>MATERIAL</b>              | Polyamide 6.6, heat stabilised (PA66HS)                   |
| <b>Operating Temperature</b> | -40 °C to +105 °C, (+105 °C for 500 h)                    |
| <b>Flammability</b>          | UL 94 V2, self-extinguishing, Glow Wire Test (GWT) 960 °C |



| TYPE               | Hole Ø (FH) min. | Hole Ø (FH) max. | Length (L) | Width (W) | Colour     | Pack Cont. | Article-No. |
|--------------------|------------------|------------------|------------|-----------|------------|------------|-------------|
| SpotClip-Plate 600 | 75.0             | 314.0            | 592.0      | 592.0     | Black (BK) | 10 pcs.    | 148-00117   |

All dimensions in mm. Subject to technical changes.  
Minimum Order Quantity (MOQ) may differ from package content.





### Downlight Covers - For Industrial Buildings

#### SpotClip-Plate

##### Features and benefits

- SpotClip-Plate distributes the load of the downlight equally across the suspended ceiling construction
- Flexible installation during or after construction, useful for both existing and new buildings
- Remains rigid even at higher temperature
- Flame retardant material according to UL94-V2
- Improves life span and reliability of lamps
- Faster and easier installation and replacement of the lamp
- Tested according to EN 60598-1, EN 60598-2-2, and NF C 15100



SpotClip-Plate comes in 16 pre-cut fixing hole diameter sizes.



Choose the required diameter and cut with a handsaw.



Use the SpotClip-Plate as a stencil to cut the fixing hole into the ceiling plate.



1. Place the SpotClip-Plate in position.



2. Cut the ceiling plate.



3. Insert the downlight through the cut hole.



4. Mount the downlight.



### SpotClip-Plate - Further Accessories

#### SpotClip-Caps

SpotClip-Plate can be used to ensure the safety distance between the downlight and insulation material. We offer three different solutions to prevent damage to insulation material caused by overheating of the bulb.

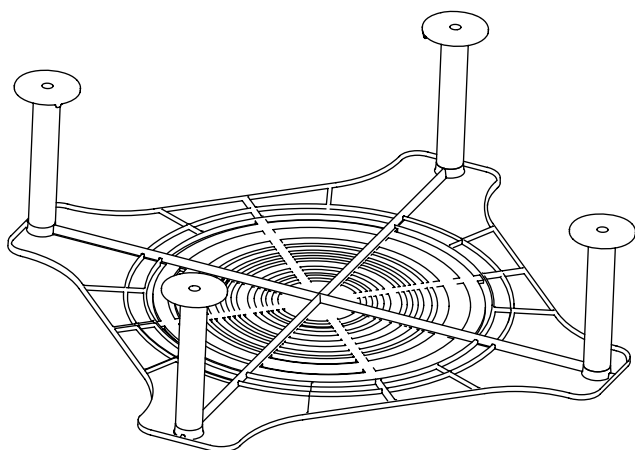
1. Place two plates on top of each other and use IRL standard tubes between these to achieve the required distance
2. Use SpotClip-Caps and IRL standard tubes to achieve the required distance between the plate and insulation material
3. Combine SpotClip-Kit with SpotClip-Plate for a fast solution



*SpotClip-Plate with insulation material - Plate-to-Plate solution.*



*SpotClip-Plate combined with SpotClip-Caps.*



*SpotClip-Plate in combination with IRL standard tubes and SpotClip-Caps*



*SpotClip-Plate combined with SpotClip-Kit, shown with insulation material.*



### SpotClip-Plate - Further Accessories

#### SpotClip-Caps

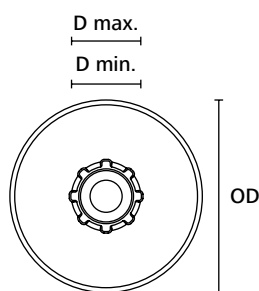
##### Features and benefits

- Different solutions to ensure safety distance between downlight, damp-proof foil and insulation material
- SpotClip-Plate can be combined with SpotClip-Kit, SpotClip-Caps or placed on top of each other with standard SpotClip-Tubes to ensure the required distance
- Prevents damage to insulation material caused by overheating
- Improves life span and reliability of lamps
- Faster and easier installation and replacement of lamps



SpotClip-Caps offered in a pack of 40 pieces.

|                              |   |
|------------------------------|---|
| <b>MATERIAL</b>              | Polyamide 6.6, heat stabilised (PA66HS)                   |
| <b>Operating Temperature</b> | -40 °C to +105 °C, (+105 °C for 500 h)                    |
| <b>Flammability</b>          | UL 94 V2, self-extinguishing, Glow Wire Test (GWT) 960 °C |



SpotClip-Cap

| TYPE                | Outside Ø (OD) | Ø D min. | Ø D max. | Colour     | Pack Cont. | Article-No. |
|---------------------|----------------|----------|----------|------------|------------|-------------|
| SpotClip-Caps 16/25 | 60.0           | 16.0     | 22.0     | Black (BK) | 40 pcs.    | 148-00102   |

All dimensions in mm. Subject to technical changes.  
Minimum Order Quantity (MOQ) may differ from package content.



Add items to your watchlist!  
[www.HT.click/49-435](http://www.HT.click/49-435)