


Information and installation instructions for self adhesive mounting bases

HellermannTyton use two different types of adhesive for self adhesive bases: acrylate and synthetic rubber. These differ in the operating temperature range and the 'pull off' force of the adhesive. Synthetic rubber has an excellent initial grip, allowing for almost immediate use. Acrylate adhesive has less initial grip, so there is a need to


wait for a few hours before use, but has a higher 'pull off' force than synthetic rubber. This enables a permanent fixing lasting months or even years. To use these adhesives the surface must be dry, and free of dust, oil, oxides, parting agents and other impurities. For this the use of isopropane/water (50/50) is recommended.

After cleaning allow the surface to dry completely. Peel off the protective backing on the self adhesive base, ensuring the adhesive is not touched. Apply the part to the surface and press down firmly for several seconds.

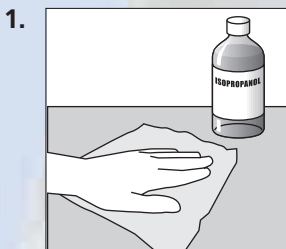
Acrylate	
Base material	PE foam or PU foam
Temperature range	at least up to +90°C



Synthetic rubber	
Base material	PE foam
Temperature range	at least -40°C to +60°C



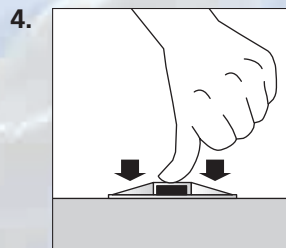
Instructions for use



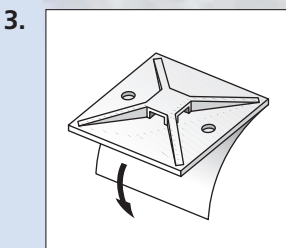
The surface must be dry, free from dust, oil, oxides, parting agents and other impurities. The surface to be glued should be cleaned using a clean cloth and isopropanol /water (50/50). When using other appropriate cleaning agents, ensure that they do not attack the surface or leave any residues.



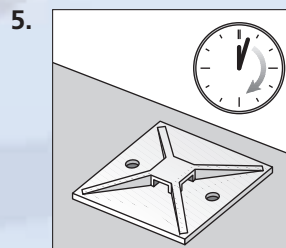
After cleaning allow the surface to dry completely.



Press down firmly on the base for several seconds.



Peel off protective backing and ensure the adhesive area is not touched.



Depending on the type of adhesive, wait for several minutes (synthetic rubber) or hours (acrylate) so that the adhesive can bond completely with the surface.

We will be happy to send you on request an up to date technical datasheet for whichever adhesive you are using.

Are you looking for a base with special adhesive for problematic surfaces, such as PE or PP? We work closely with leading manufacturers of adhesives. Please contact us for further details.

Fixing Parts with special adhesive - SolidTack® Series

Features and Benefits

Sometimes it is not possible to fix a cable with standard fixing parts and mounting bases. This is a common problem with varnished surfaces when it is not possible to drill a hole, use an edge clip or weld stud, or where methods are too time consuming and expensive. It is also problematic for surfaces such as PE or PP where a standard adhesive base does not work.

For these applications a new mounting base range with special adhesive has been developed. The adhesive tape is made of an acrylate mass with a superior initial tack, achieving a strong bond on painted surfaces and plastics with a low surface energy such as PE or PP.

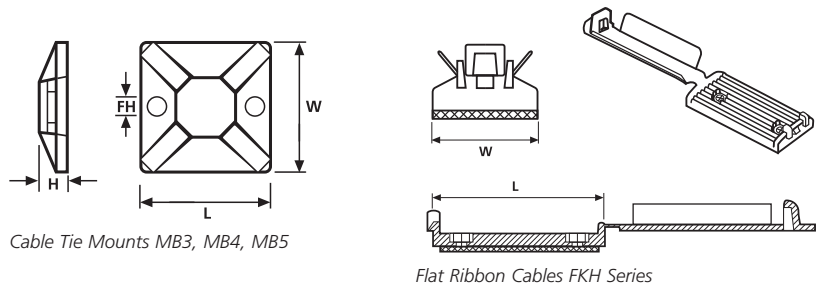


SolidTack® products work on varnished and powder coated surfaces.

Three different sizes of mounting base for cable ties are available. Two separate clamp sizes are also available to fix and secure flat and round cables without using a cable tie.

Application

These products work on varnished and powder coated surfaces as used in the railway, aviation or automotive industry. They can also be used on plastic covers, cases and parts as used in a variety of other industries.



Cable Tie Mounts MB3, MB4, MB5

Flat Ribbon Cables FKH Series

Material Data	
Material	Polyamide 6.6 (PA66)
Operating Temperature	-40 °C to +85 °C Continuous, (+105 °C for 500 h)
Flammability	UL94 V2 (excluding adhesive)



Material Data	
Material	Polyamide 6.6 High Impact Modified (PA66HIR)
Operating Temperature	-40 °C to +80 °C
Flammability	UL94 HB (excluding adhesive)

Acrylate	
Adhesive	mod. Acrylate
Operating Temperature	-40 °C to +90 °C

Technical Table

Article-No.	Type	Length (L)	Width (W)	Height (H)	Fixing Hole Ø (FH)	Strap Width max. (G)	Material	Colour
MB Series								
151-00432	MB3APT	19.0	19.0	3.8	3.1	4.1	PA66	Black (BK)
151-00433	MB4APT	28.0	28.0	4.7	4.0	5.4	PA66	Black (BK)
151-00434	MB5APT	38.0	38.0	6.4	4.7	10.0	PA66	Black (BK)
151-00435	MB5AVHB	38.0	38.0	6.4	4.7	10.0	PA66	Black (BK)
						For Cable Width max. (Metric)		
FKH Series								
151-00312	FKH50AVHB	56.5	25.0	-	3.1	50.0	PA66HIR	Black (BK)
151-00313	FKH80AVHB	86.0	25.0	-	3.1	80.0	PA66HIR	Black (BK)

All dimensions in mm. Subject to technical changes.

MB Self Adhesive Cable Tie Mounts

Features and Benefits

Available in either screw or self adhesive mounting this range offers a safe and secure fixing base..

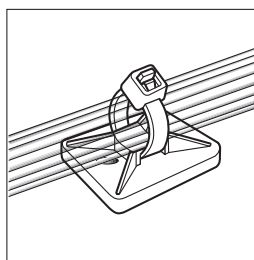
Simple to install with a screw or bolt they give excellent security, particularly in areas of high vibration.

The Self Adhesive mounts are designed to offer the maximum surface area, and in conjunction with the specially developed adhesive ensures that a very high pull-off force is achieved.

The MB mounts offer '4-way' entry for the cable tie enabling quicker and more flexible installation.

Application

Designed specifically for holding heavier cable bundles these mounting bases can be used in many industries from agriculture to truck manufacture. They offer a very secure fixing and can be used with a wide variety of heavy duty cable ties up to 8mm wide.

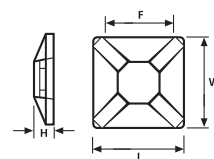


Cable Tie Mounts MB3A

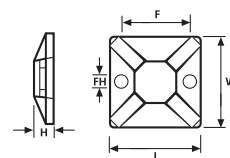
For more information on the types of adhesive used please turn to page 114.



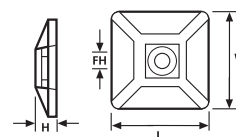
Cable Tie Mounts MB and TY.



Cable Tie Mounts MB2A



Cable Tie Mounts MB3-5(A)



Cable Tie Mounts MB4CA

Material Data

	Material	Polyamide 6.6 (PA66)
	Operating Temperature	-40 °C to +85 °C Continuous, (+105 °C for 500 h)
	Flammability	UL94 V2 (excluding adhesive)



Technical Table

Article-No.	Type	Length (L)	Width (W)	Height (H)	Fixing Hole Ø (FH)	Fixing Hole Centres (F)	Strap Width max. (G)	Material	Colour	Adhesive
151-01808	MB2AM	13.0	13.0	4.1	-	-	2.7	PA66	Natural (NA)	-
151-01802	MB2A	13.0	13.0	4.1	-	-	2.7	PA66	Natural (NA)	Synthetic rubber
151-01806	MB2AM	13.0	13.0	4.1	-	-	2.7	PA66	Black (BK)	-
151-00135	MB2A	13.0	13.0	4.1	-	-	2.7	PA66	Black (BK)	Synthetic rubber
151-28359	MB3	19.0	19.0	3.8	3.1	13.2	4.1	PA66	Natural (NA)	-
151-28349	MB3A	19.0	19.0	3.8	3.1	13.2	4.1	PA66	Natural (NA)	Synthetic rubber
151-28320	MB3A	19.0	19.0	3.8	3.1	13.2	4.1	PA66	Black (BK)	Synthetic rubber
151-28725	MB3	19.0	19.0	3.8	3.1	13.2	4.1	PA66	Natural (NA)	-
151-00115	MB3	19.0	19.0	3.8	3.1	13.2	4.1	PA66	Black (BK)	-
151-28430	MB4A3	28.0	28.0	4.7	4.0	20.2	5.4	PA66	Black (BK)	Acrylate
151-28479	MB4	28.0	28.0	4.7	4.0	20.2	5.4	PA66	Natural (NA)	-
151-28423	MB4	28.0	28.0	4.7	4.0	20.2	5.4	PA66	Black (BK)	-
151-28425	MB4	28.0	28.0	4.7	4.0	20.2	5.4	PA66	Natural (NA)	-
151-28469	MB4A	28.0	28.0	4.7	4.0	20.2	5.4	PA66	Natural (NA)	Synthetic rubber
151-28412	MB4A	28.0	28.0	4.7	4.0	20.2	5.4	PA66	Black (BK)	Synthetic rubber
151-28459	MB4CA	29.0	29.0	5.7	4.2	-	5.4	PA66	Natural (NA)	Synthetic rubber
151-28529	MB5A	37.7	37.7	6.9	4.7	25.3	10.0	PA66	White (WH)	Synthetic rubber
151-28449	MB4CAS*	29.0	29.0	5.7	4.2	-	5.4	PA66	Natural (NA)	Synthetic rubber
151-28519	MB5	38.0	38.0	6.4	4.7	25.3	10.0	PA66	Natural (NA)	-
151-28602	MB5A	37.7	37.7	6.9	4.7	25.3	10.0	PA66	Black (BK)	Synthetic rubber
151-28530	MB5A3	38.0	38.0	6.4	4.7	25.3	10.0	PA66	Black (BK)	Acrylate

All dimensions in mm. Subject to technical changes.

* Plastic box

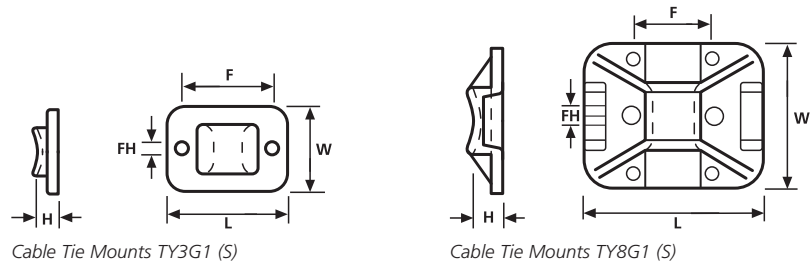


Please note! Not every product listed carries these approvals!

TY Self Adhesive Cable Tie Mounts

Features and Benefits

TY mounts are particularly suitable for applications with minimal space - they are mounted into the equipment prior to cable installation. The cables can be attached using a range of standard cable ties.



Cable Tie Mounts TY3G1 (S)

Cable Tie Mounts TY8G1 (S)

Application

These products are designed for simple, yet robust, installation in a wide variety of applications - particularly used in telecoms equipment, switchgear and control cabinets.

Material Data	
Material	Polyamide 6.6 UV Resistant (PA66W)
Operating Temperature	-40 °C to +85 °C Continuous, (+105 °C for 500 h)
Flammability	UL94 V2 (excluding adhesive)



For more information on the types of adhesive used please turn to page 114.

Material Data	
Material	Polyamide 6.6 (PA66)
Operating Temperature	-40 °C to +85 °C Continuous, (+105 °C for 500 h)
Flammability	UL94 V2



Technical Table

Article-No.	Type	Length (L)	Width (W)	Height (H)	Fixing Hole Ø (FH)	Fixing Hole Centres (F)	Strap Width max. (G)	Material	Colour	Adhesive
151-21319	TY3G1	20.0	14.0	3.7	2.2	15.0	4.0	PA66	Natural (NA)	-
151-11319	TY3G1S	20.0	14.0	3.7	2.2	15.0	4.0	PA66	Natural (NA)	Acrylate
151-11310	TY3G1S	20.0	14.0	3.7	2.2	15.0	4.0	PA66W	Black (BK)	Acrylate
151-21819	TY8G1	32.0	25.0	5.2	3.2	15.0	8.0	PA66	Natural (NA)	-
151-11819	TY8G1S	32.0	25.0	5.2	3.2	15.0	8.0	PA66	Natural (NA)	Acrylate
151-11810	TY8G1S	32.0	25.0	5.2	3.2	15.0	8.0	PA66W	Black (BK)	Acrylate

All dimensions in mm. Subject to technical changes.

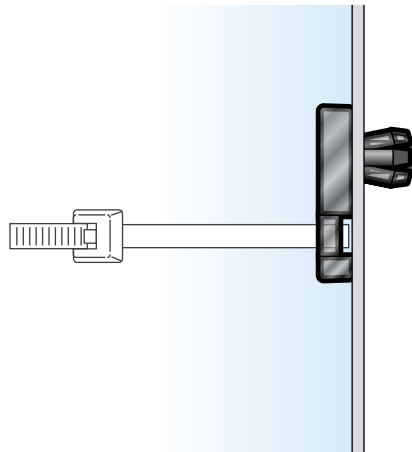
LKC and NY Cable Tie Mounts

Features and Benefits

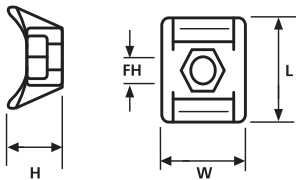
LKC Cable Tie Mounts give additional support to the cable bundles by means of their curved design. Simple to install with a screw or bolt they give excellent security, particularly in areas of high vibration.

Application

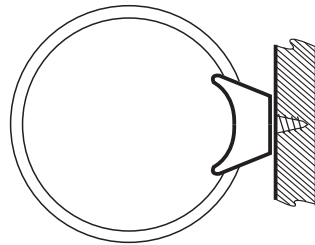
Designed specifically for holding heavier cable bundles these mounting bases can be used in many industries from agriculture to truck manufacture. They offer a very secure fixing and can be used with a wide variety of heavy duty cable ties up to 13mm wide.



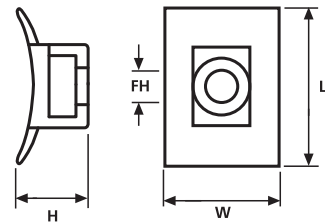
LKCRF1



Cable Tie Mounts LKC Series



Wall fastening



Cable Tie Mounts LKC Series

Material Data	
Material	Polyamide 6.6 (PA66)
Operating Temperature	-40 °C to +85 °C Continuous, (+105 °C for 500 h)
Flammability	UL94 V2



Technical Table

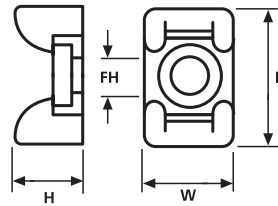
Article-No.	Type	Length (L)	Width (W)	Height (H)	Fixing Hole Ø (FH)	Strap Width max. (G)	Material	Colour
151-27010	LKC	25.0	17.0	13.5	5.5	8.0	PA66	Black (BK)
151-27019	LKC	25.0	17.0	13.5	5.5	8.0	PA66	Natural (NA)
151-27219	LKCSF1	40.0	19.0	16.0	6.0	13.0	PA66	Natural (NA)
151-27202	LKCSF1	40.0	19.0	16.0	6.0	13.0	PA66	Black (BK)
151-00102	LKCRF1	23.82	12.0	4.0	6.35	4.8	PA66	Black (BK)
151-27009	LKCRF1	23.82	11.91	3.99	6.35	4.8	PA66	Natural (NA)
151-25219	NY3256	13.5	12.0	7.8	3.0	8.0	PA66	Natural (NA)
151-25319	NY3343	16.0	18.0	8.0	3.0	12.0	PA66	Natural (NA)

All dimensions in mm. Subject to technical changes.

KR/CTM Cable Tie Mounts

Features and Benefits

KR mounts give additional support to the cables by means of their curved design. Simple to install with a screw or bolt they give excellent security, particularly in areas of high vibration when used in conjunction with the KR straps. They must offer one of the most vibration resistant fixings available.



Cable Tie Mounts KR6G5, KR8G5 and CTM

Application

Designed specifically for holding heavier cable bundles these mounting bases can be used in many industries from agriculture to truck manufacture, they offer a very secure fixing and can be used with a wide variety of heavy duty cable ties up to 7.6mm wide.

Material Data	
Material	Polyamide 6.6 (PA66)
Operating Temperature	-40 °C to +85 °C Continuous, (+105 °C for 500 h)
Flammability	UL94 V2

RoHS (halogenfree)

Material Data	
Material	Polyamide 6.6 UV Resistant (PA66W)
Operating Temperature	-40 °C to +85 °C Continuous, (+105 °C for 500 h)
Flammability	UL94 V2

RoHS (halogenfree)

Material Data	
Material	Polyamide 6.6 Heat Stabilised (PA66HS)
Operating Temperature	-40 °C to +105 °C Continuous, (+145 °C for 500 h)
Flammability	UL94 V2

RoHS (halogenfree)

Technical Table

Article-No.	Type	Length (L)	Width (W)	Height (H)	Fixing Hole Ø (FH)	Strap Width max. (G)	Material	Colour
151-24619	KR6G5	18.0	12.0	9.0	4.5	6.0	PA66	Natural (NA)
151-24600	KR6G5	18.0	12.0	9.0	4.5	6.0	PA66	Black (BK)
151-24660	KR6G5	18.0	12.0	9.0	4.5	6.0	PA66W	Black (BK)
151-24819	KR8G5	25.0	14.5	12.0	6.5	8.0	PA66	Natural (NA)
151-24850	KR8G5	25.0	14.5	12.0	6.5	8.0	PA66HS	Black (BK)
151-30301	CTM0	14.68	9.52	6.76	3.7	4.6	PA66	Black (BK)
151-30303	CTM0	14.68	9.52	6.76	3.7	4.6	PA66	White (WH)
151-30400	CTM1	14.71	9.40	6.76	4.7	4.6	PA66	Black (BK)
151-30405	CTM1	14.5	9.25	6.6	4.7	4.6	PA66	White (WH)
151-30600	CTM3	21.79	15.47	9.50	4.8	7.6	PA66	Black (BK)
151-30605	CTM3	21.79	15.47	9.50	4.8	7.6	PA66	White (WH)
151-30700	CTM4	21.95	15.65	9.45	6.4	7.6	PA66	Black (BK)
151-30703	CTM4	21.95	15.65	9.45	6.4	7.6	PA66	White (WH)
151-30500	CTM2	21.77	15.37	9.45	4.4	7.6	PA66	Black (BK)
151-30504	CTM2	21.77	15.37	9.45	4.4	7.6	PA66	White (WH)

All dimensions in mm. Subject to technical changes.

CTAM and CTAP, MB and TY Cable Tie Mounts

Features and Benefits

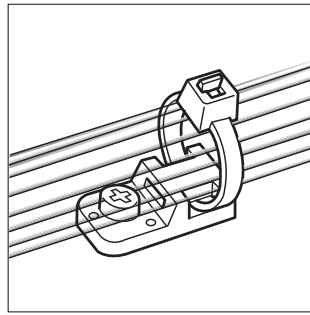
CTAM and CTAP mounts are suitable for applications with minimal space. They are mounted onto the equipment prior to cable installation as they are installed 'in line' and take up no more space than the cable itself.

The CTAM has a '4-way' entry design and can be used either 'in line' or at 90 degrees to the cable run.

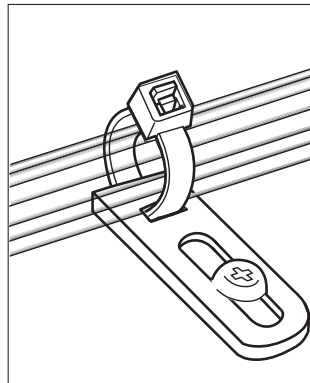
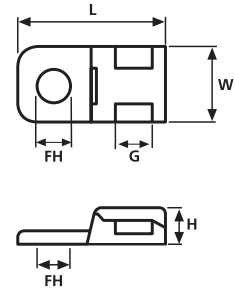
The CTAP mounts offer an adjustable 'stand off' feature allowing the cable run to be precisely positioned.

Application

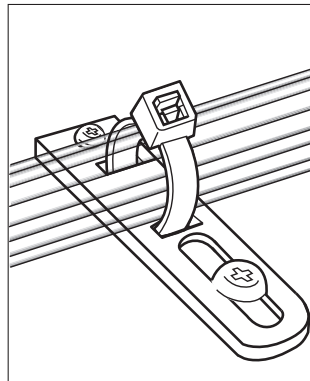
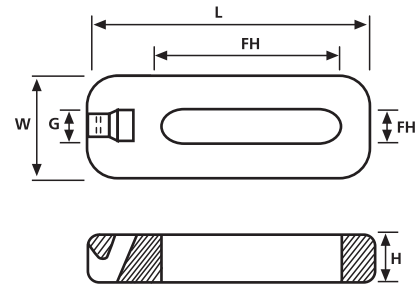
Each of these products offer particular benefits, but all are designed for simple, yet robust, installation in a wide variety of applications. Particularly used in telecoms equipment, switchgear and control cabinets.



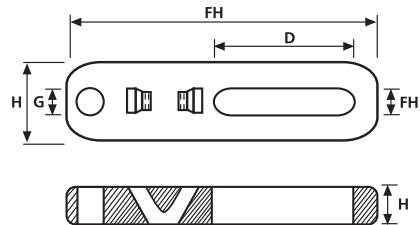
Cable Tie Mounts CTAM1/CTAM2



Cable Tie Mounts CTAP1



Cable Tie Mounts CTAP2



Material Data	
Material	Polyamide 6.6 (PA66)
Operating Temperature	-40 °C to +85 °C Continuous, (+105 °C for 500 h)
Flammability	UL94 V2



Technical Table

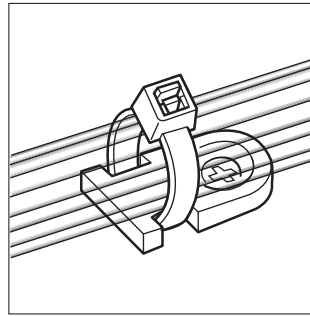
Article-No.	Type	Length (L)	Width (W)	Height (H)	Fixing Hole Ø (FH)	Strap Width max. (G)	Material	Colour
151-31109	CTAM1	20.4	10.2	5.1	4.3	4.6	PA66	Natural (NA)
151-31209	CTAM2	20.4	10.2	5.1	5.2	4.6	PA66	Natural (NA)
151-30100	CTAP1	34.04	12.7	3.81	5.0* x 19.0	5.0	PA66	White (WH)
151-30209	CTAP2	54.1	12.7	3.5	5.0* x 19.0	5.0	PA66	Natural (NA)
151-30200	CTAP2	54.1	12.7	3.5	5.0* x 19.0	5.0	PA66	White (WH)

All dimensions in mm. Subject to technical changes.

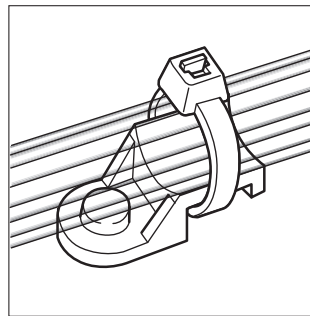
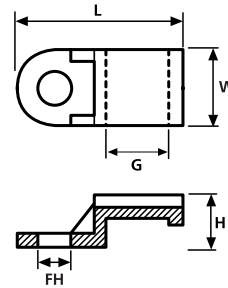
* = Width of hole



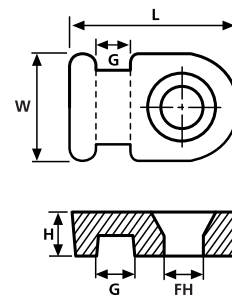
Please note! Not every product listed carries these approvals!



Cable Tie Mounts MB1/MB2



Cable Tie Mounts TY3/TY8



Material Data

	Material	Polyamide 6.6 (PA66)
	Operating Temperature	-40 °C to +85 °C Continuous, (+105 °C for 500 h)
	Flammability	UL94 V2



Technical Table

Article-No.	Type	Length (L)	Width (W)	Height (H)	Fixing Hole Ø (FH)	Strap Width max. (G)	Material	Colour
151-28119	MB1	12.5	8.0	3.5	2.9	2.6	PA66	Natural (NA)
151-28110	MB1	12.5	8.0	3.5	2.9	2.6	PA66	Black (BK)
151-28219	MB2	20.5	12.5	3.3	5.0	5.0	PA66	Natural (NA)
151-28200	MB2	20.5	12.5	3.3	5.0	5.0	PA66	Black (BK)
151-23319	TY3F1	19.0	8.0	5.7	3.5	5.0	PA66	Natural (NA)
151-23819	TY8F1	22.4	10.0	5.8	4.5	8.0	PA66	Natural (NA)

All dimensions in mm. Subject to technical changes.



Please note! Not every product listed carries these approvals!

LKM, CL8 and FH Cable Tie Mounts

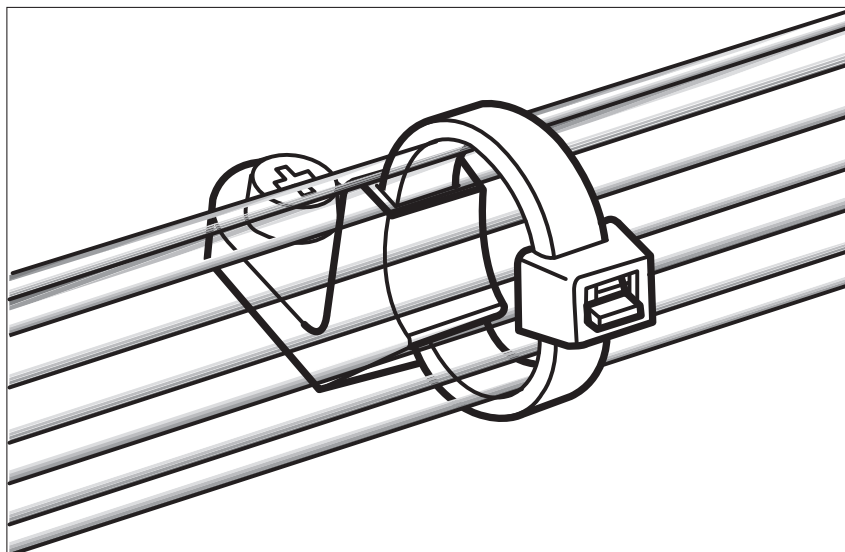
Features and Benefits

With these screwfix mounts it is possible to install the cable sideways. The FH mounts feature a compact design.

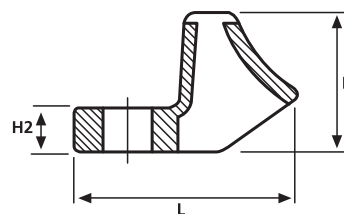
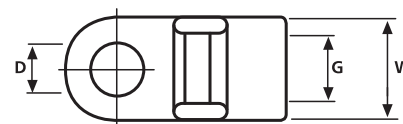
The CL8/LKM mounts are ideal for securing large, heavier bundles and will accept cable ties up to 8mm wide.

Application

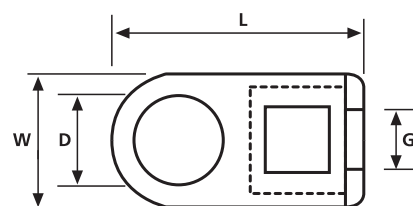
In areas with limited space these mounting bases allow the cable to be offset from the fixing hole, and can be installed in the equipment prior to the cable installation. A major cost saving can be made by using these products as many different sizes of standard cable ties can be used, reducing the need to stock a wide range of specific fixing ties.



LKM/CL8 Cable Tie Mounts



LKM/CL8 Cable Tie Mounts



FH Cable Tie Mounts

Material Data

	Material	Polyamide 6.6 (PA66)
	Operating Temperature	-40 °C to +85 °C Continuous, (+105 °C for 500 h)
	Flammability	UL94 V2



Material Data

	Material	Polyamide 6.6 UV Resistant (PA66W)
	Operating Temperature	-40 °C to +85 °C Continuous, (+105 °C for 500 h)
	Flammability	UL94 V2



Technical Table

Article-No.	Type	Length (L)	Width (W)	Height (H)	Height (H2)	Fixing Hole Ø (FH)	Strap Width max. (G)	Material	Colour
151-26819	CL8	27.3	12.5	16.0	5.0	6.5	8.0	PA66	Natural (NA)
151-26800	CL8	27.3	12.5	16.0	5.0	6.5	8.0	PA66	Black (BK)
151-26860	CL8	27.3	12.5	16.0	5.0	6.5	8.0	PA66W	Black (BK)
151-26302	LKM	27.0	12.0	16.0	5.0	6.0	7.6	PA66	Black (BK)
151-26303	LKM	27.0	12.0	16.0	5.0	6.0	7.6	PA66	Natural (NA)
151-61119	FH18	13.3	7.1	4.0	-	3.7	2.5	PA66	Natural (NA)
151-61319	FH30	17.9	9.5	4.7	-	5.5	3.5	PA66	Natural (NA)
151-61519	FH50	22.2	11.3	6.2	-	7.1	4.6	PA66	Natural (NA)

All dimensions in mm. Subject to technical changes.

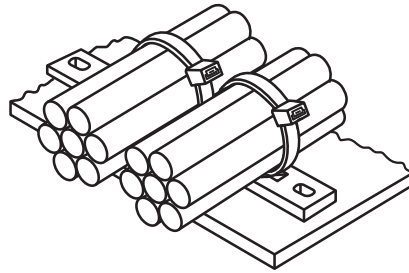
Mounting Plates Types MP and MSMP

Features and Benefits

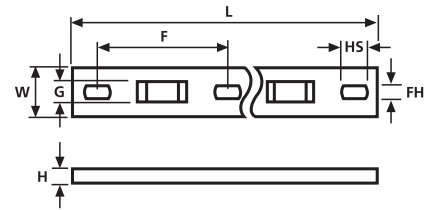
Allowing multiple cables to be run in parallel these mounting plates are simply fixed by two screws. The cables are attached to the mounting plate by using a cable tie through any combination of the available slots.

Application

Many applications require each cable run to be firmly held in place but separately from adjacent cable runs (example - control cabinets, machinery and military systems). The MP series of mounts help achieve this.



Mounting Plates Types MP and MSMP



Mounting Plates Types MP and MSMP

Material Data	
Material	Polyamide 6.6 (PA66)
Colour	Black (BK), Natural (NA)
Operating Temperature	-40 °C to +85 °C Continuous, (+105 °C for 500 h)
Flammability	UL94 V2

RoHS (Halogenfree) HF

Technical Table

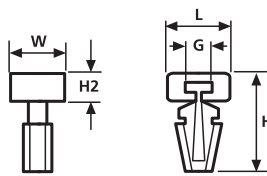
Article-No.	Type	Length (L)	Width (W)	Height (H)	Fixing Hole Ø (FH)	Fixing Hole Centres (F)	Hole Size (HS)	Strap Width max. (G)	Material	No. of bundles
151-24219	MP2M3	76.2	12.7	3.2	3.5	31.8	6.4	5.2	PA66	2
151-24319	MP3M3	108.0	12.7	3.2	3.7	31.8	6.4	5.2	PA66	3
151-24419	MP4M3	139.8	12.7	3.2	3.7	31.8	6.4	5.2	PA66	4
150-83499	MSMP4	167.0	15.9	5.2	5.1	19	7.6	8.2	PA66	4
151-24519	MP5M3	171.6	12.7	3.2	3.7	31.8	6.4	5.2	PA66	5
151-25519	MSMP5	204.0	15.7	5.3	5.1	38	7.7	8.2	PA66	5
151-25619	MSMP6	242.0	15.7	5.3	5.1	38	7.7	8.2	PA66	6

All dimensions in mm. Subject to technical changes.

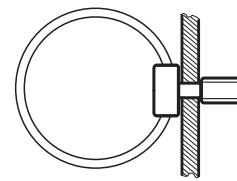
Cable Fixing Accessory TM1SF

Features and Benefits

The TM1SF mount is ideal for applications with restricted access, or where space-saving is required. The arrowhead simply pushes into a pre-drilled or pre-punched hole giving a very secure fixing.



TM1SF Fixing Base



TM1SF Fixing Base

Technical Table

Article-No.	Type	Length (L)	Width (W)	Height (H)	Height (H2)	Fixing Hole Ø (FH)	Panel Thickness max.	Strap Width max. (G)	Material	Colour
151-40119	TM1SF	10.2	7.6	15.6	4.6	6.3	3.4	5.2	PA66	Natural (NA)

All dimensions in mm. Subject to technical changes.



Please Note for Product Specific Approvals please refer to the Appendix

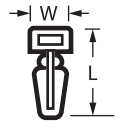
SFC Arrowhead Cradle

Features and Benefits

Arrowhead fixing for use in pre-drilled or punched holes. Provides secure cradle for use with HellermannTyton cable ties. SFC and SFC2 for ties up to 4.8mm width. SFC3 will accept ties up to 8mm width.

Application

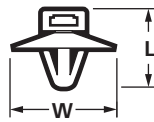
Offering simple and easy methods of securing cables or pipes these fixing accessories have many applications within a wide range of industries.



SFC





SFC2



SFC3



Material Data	
Material	Polyamide 6.6 (PA66)
Operating Temperature	-40 °C to +85 °C Continuous, (+105 °C for 500 h)
Flammability	UL94 V2

Technical Table

Article-No.	Type	Length (L)	Width (W)	Fixing Hole Ø (FH)	Panel Thickness min.	Panel Thickness max.	Material	Colour
151-01601	SFC	18.0	11.0	6.0	–	3.2	PA66	Natural (NA)
151-02000	SFC2	14	6.0	6.0	–	1.0	PA66	Natural (NA)
151-01909	SFC3	7.3	22.0	6.3	0.8	1.8	PA66	Natural (NA)
151-01907	SFC3	7.3	22.0	6.3	0.8	1.8	PA66	Black (BK)

All dimensions in mm. Subject to technical changes.

Cable Fixing Accessories Tape Clip, TC and CH Series

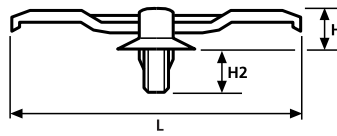
Features and Benefits

Various TapeClips have been developed especially for banding of cables and cable looms. The cable looms are fastened onto the winding bar by means of twine, adhesive tape or cable ties.

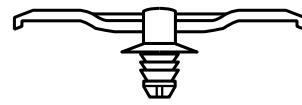
The various fixing types allow the use in a wide variety of metal plates and hole diameters. The base of the CHA holder can be moved along the axis in order to equalise tolerances. The TapeClip CHDP66 is noted for its vertical winder bar, which means that 2 leads or cable bundles can be run in parallel.

Application

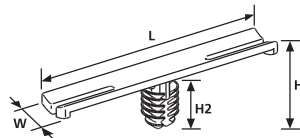
Originally designed for the Automotive industry, these clips offer simple and easy methods of securing cable hoses or pipes. They have many applications within a wide range of industries.



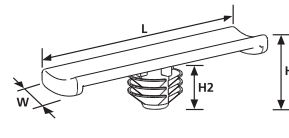
TapeClip CHA1



TapeClip CHA2



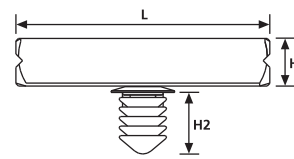
TapeClip TC2FT6LG



TapeClip TC5FT6S



TapeClip CHDP66



TapeClip CHDP66

Material Data

RoHS	Material	Polyamide 6.6 (PA66)
	Operating Temperature	-40 °C to +85 °C Continuous, (+105 °C for 500 h)
	Flammability	UL94 V2



Material Data

RoHS	Material	Polyamide 6.6 High Impact Modified, Heat Stabilised (PA66HIRHS)
	Operating Temperature	-40 °C to +105 °C
	Flammability	UL94 HB

Material Data

RoHS	Material	Polyamide 6.6 Heat Stabilised (PA66HS)
	Operating Temperature	-40 °C to +105 °C Continuous, (+145 °C for 500 h)
	Flammability	UL94 V2



Technical Table

Article-No.	Type	Length (L)	Width (W)	Height (H)	Height (H2)	Fixing Hole Ø (FH)	Panel Thickness min.	Panel Thickness max.	Material	Colour
150-08110	CHA1	54.0	6.0	7.7	8.2	6.3-7.0	0.5	1.2	PA66	Black (BK)
151-00078	CHA1	54.0	6.0	7.7	8.2	6.3-7.0	0.5	1.2	PA66HS	Black (BK)
150-09010	CHA2	54.0	6.0	7.7	8.0	6.5-7.0	0.8	2.0	PA66	Black (BK)
155-30802	TC2FT6LG	55.0	9.0	12.5	11.0	6.3-7.0	0.6	5.1	PA66HIRHS	Black (BK)
150-95500	TC5FT6S	37.0	8.0	8.2	5.0	6.5-7.0	0.75	1.5	PA66HIRHS	Black (BK)
150-07010	CHDP66	40.0	10.0	8.5	9.7	6.6	0.8	4.5	PA66	Black (BK)

All dimensions in mm. Subject to technical changes.

Cable Fixing Accessories Tape Clip, COW Series and CH Series

Features and Benefits

The COW clips can be used as a conventional tape-on clip or assembled with a cable tie to fix the harness in place. They can be purchased separately or ready assembled.

Application

Originally designed for the Automotive industry, these clips offer simple and easy methods of securing cable hoses or pipes. They have many applications within a wide range of industries.



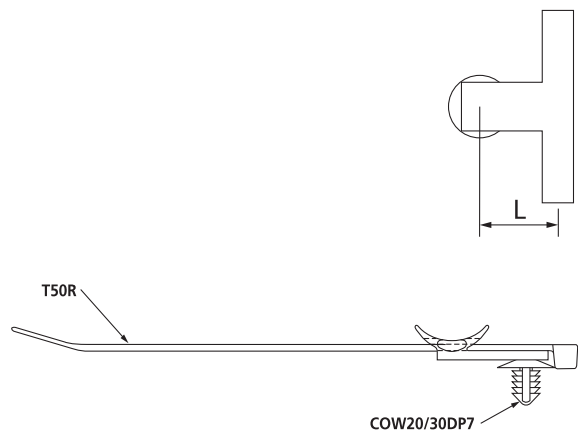
COW Clip and CH Series.

Material Data	
Material	Polyamide 6.6 (PA66)
Operating Temperature	-40 °C to +85 °C Continuous, (+105 °C for 500 h)
Flammability	UL94 V2



COW Clip used as tape-on clip.

Material Data	
Material	Polyamide 6.6 Heat Stabilised (PA66HS)
Operating Temperature	-40 °C to +105 °C Continuous, (+145 °C for 500 h)
Flammability	UL94 V2



COW Clip with Cable Tie Assembly

Technical Table							
Article-No.	Type	Length (L)	Fixing Hole Ø (FH)	Panel Thickness min.	Panel Thickness max.	Material	Colour
151-00077	CH20D6	50	6.5	0.8	1.6	PA66HS	Black (BK)
150-02010	CH20D7	50	7.0	0.8	1.6	PA66	Black (BK)
151-03100	COW20DP7	20	6.3-7.0	0.8	4.5	PA66HS	Brown (BN)
151-03200	COW30DP7	30	6.3-7.0	0.8	4.5	PA66	Black (BK)
150-09201	COW20DP7	20	6.3-7.0	0.8	4.5	PA66	Brown (BN)
151-00080	COW30DP7	30	6.3-7.0	0.8	4.5	PA66HS	Black (BK)

All dimensions in mm. Subject to technical changes.

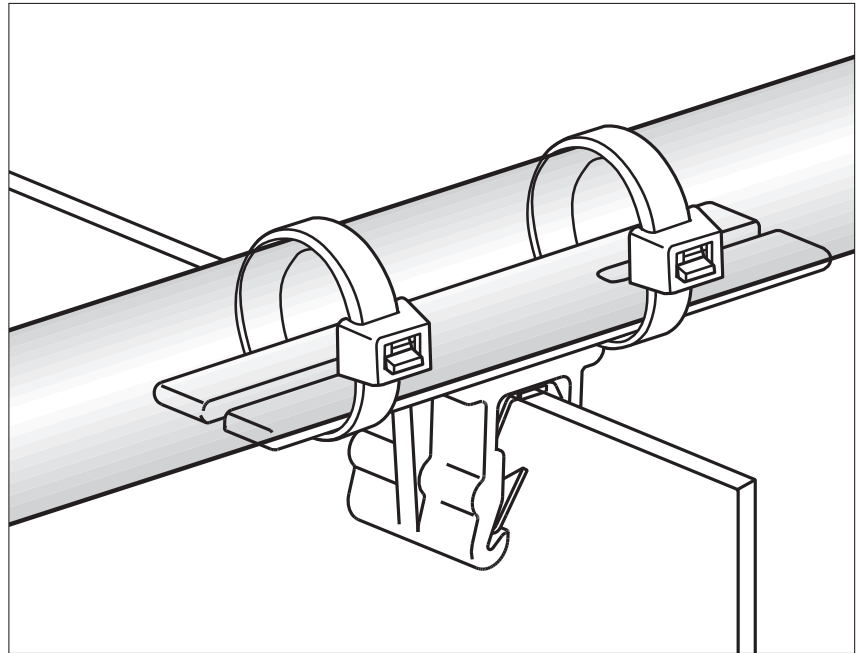
Cable Fixing Accessories EdgeClip

Features and Benefits

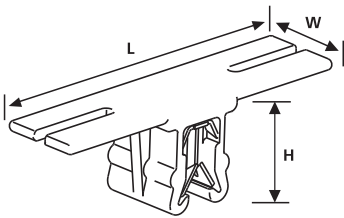
Edge Clip mounting solutions stand out for the ease with which they can be fitted. They are installed simply by pressing onto a plastic or metal edge. EC7 cables and leads can be located by simply laying them into the holder. EC14 to EC17 cables can be fastened to the cable bundle by using a cable tie or adhesive tape.

Application

Edge Clips are used in the automotive industries and electrical industries and when it is impossible to drill holes or no other fixing points are available.



Cables and leads can be fastened with a cable tie or adhesive tape to the bars of the mounting element.



EC15

Material Data	
Material	Polyamide 6.6 High Impact Modified, Heat Stabilised (PA66HIRHS)
Colour	Black (BK)
Operating Temperature	-40 °C to +105 °C
Flammability	UL94 HB

Technical Table

Article-No.	Type	Length (L)	Width (W)	Height (H)	Panel Thickness min.	Panel Thickness max.	Drawing
151-03404	EC14	40.0	10.0	12.4	1.0	3.0	
151-03401	EC15	40.0	10.0	12.4	1.0	3.0	
151-03402	EC16	40.0	10.0	13.0	1.0	3.0	
151-03403	EC17	40.0	10.0	13.0	1.0	3.0	

All dimensions in mm. Subject to technical changes.

TY5 Rivet Mount

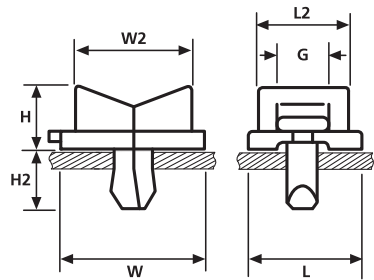
Features and Benefits

Quick installation is one of the key features of the TY mounts. Consisting of a two piece 'wedge' the fixing is easily inserted using special tools. The special 'diagonal' design of the fixing guarantees a secure installation at all times.

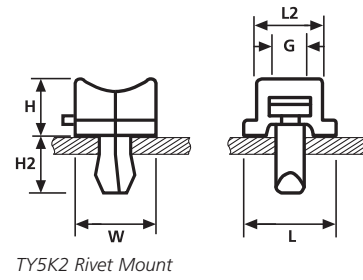
Once installed the TY mounts offer a firm fixing for a wide variety of cable ties.

Application

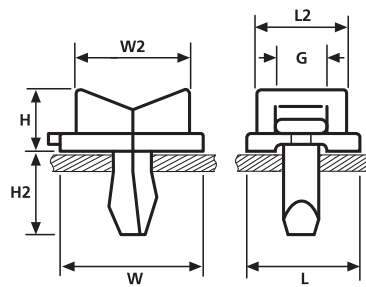
The TY Fixings are ideal for use where a high pull out force is required (eg. in the aircraft industry). The two piece 'wedge' ensures that once installed the mounts will not come away from the panel. Particularly designed for areas with restricted access.



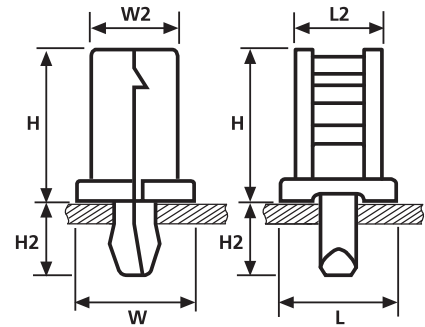
TY5K3/5 Rivet Mount



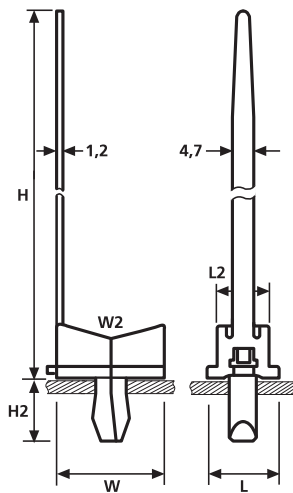
TY5K2 Rivet Mount



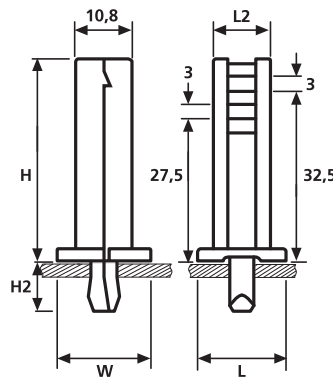
TY5K3 Rivet Mount



TY5K1 Rivet Mount



TY5K4 Rivet Mount



TY5K5 Rivet Mount

For more information on insertion tools please turn to page 418.

Material Data	
Material	Polyamide 6.6 Heat Stabilised (PA66HS)
Operating Temperature	-40 °C to +105 °C Continuous, (+145 °C for 500 h)
Flammability	UL94 V2



Material Data	
Material	Polyamide 6.6 UV Resistant (PA66W)
Operating Temperature	-40 °C to +85 °C Continuous, (+105 °C for 500 h)
Flammability	UL94 V2



Technical Table

Article-No.	Type	Length (L)	Length (L2)	Width (W)	Width (W2)	Height (H)	Height (H2)	Strap Width max. (G)	Fixing Hole Ø (FH)	Panel Thickness min.	Panel Thickness max.	Material	Colour
152-51059	TY5K1*	15.0	11.0	14.8	10.8	18.3	9.5	5.5	5.0-5.3	1.0	3.0	PA66HS	Natural (NA)
152-11209	TY5K2	14.0	10.0	12.0	—	7.8	9.5	5.5	4.9-5.3	1.0	5.0	PA66HS	Natural (NA)
152-12300	TY5K3	18.0	14.0	22.0	17.0	10.0	12.5	9.3	5.9-6.4	2.0	8.0	PA66W	Black (BK)
152-11309	TY5K3	18.0	14.0	22.0	17.0	10.0	12.5	9.3	5.9-6.4	2.0	8.0	PA66HS	Natural (NA)
152-12350	TY5K3/5	18.0	14.0	22.0	17.0	10.0	9.5	9.3	4.9-5.3	1.0	5.0	PA66W	Black (BK)
152-11359	TY5K3/5	18.0	14.0	22.0	17.0	10.0	9.5	9.3	4.9-5.3	1.0	5.0	PA66HS	Natural (NA)
152-11409	TY5K4	14.0	10.0	22.0	—	175.0	12.5	—	5.9-6.4	2.0	8.0	PA66HS	Natural (NA)
152-55059	TY5K5**	18.0	11.0	17.8	10.8	38.3	9.5	6.0	5.0-5.3	1.0	3.0	PA66HS	Natural (NA)

All dimensions in mm. Subject to technical changes.

*Norm NSA 935513-01 **Norm NSA 935513-05

Dual Swivel Saddle Spacer DSWS4

Features and Benefits

These saddle spacers are installed between two bundles (such as wires, cables, hoses, tubing, conduit, etc.) to separate them and prevent chafing and wear. The mounts can be easily rotated by hand, allowing the bundles to be crossed and rotated at any angle. Cable ties, which secure the bundles, are used with the mounts. The dual swivel saddle spacers accommodate cable ties up to 12.7mm wide.

The "H" profile of the saddles allows for broad surface contact with the bundle, minimizing pinching and crushing of the bundle, and it accepts a wide range of bundle diameters from 6mm to 76mm.

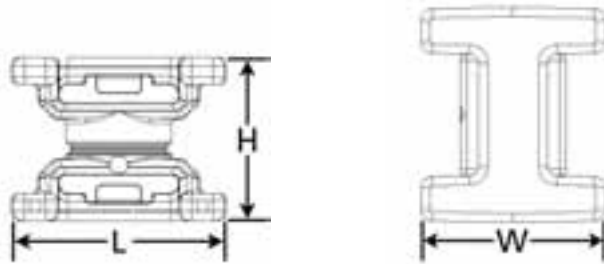
The DSWS4 Dual Swivel Saddle Spacer provides a 17.8 millimeter separation between bundles. Friction tabs in the tie slots help hold the cable ties in place during assembly.

The DSWS4 is two-shot molded with polyacetal and polyamide 6.6 heat stabilized materials.

This product is designed for use with HellermannTyton's T50 - T250 Series cable ties.

Application

Primarily designed for use in the automotive/truck industry, these parts can be used in a wide variety of industries and applications where bundles need a standoff mounting position.



Material Data	
Material	Polyacetal (POM)
Operating Temperature	-40 °C to +85 °C
Flammability	UL94 HB



Material Data	
Material	Polyamide 6.6 Heat Stabilised (PA66HS)
Operating Temperature	-40 °C to +105 °C
Flammability	UL94 V2



Technical Table

Article-No.	Type	Length (L)	Width (W)	Height (H)	Bundle Ø min.	Bundle Ø max.	Min. Tensile Strength (N)	Material	Colour
151-06500	DSWS4	23.6	20.3	18	6	76	445	PA66HS/POM	Black (BK)

All dimensions in mm. Subject to technical changes.

Dual Swivel Saddle Mounts

DSWS5

Features and Benefits

These saddle spacers are installed between two bundles (such as wires, cables, hoses, tubing, conduit, etc.) to separate them and prevent chafing and wear. The spacers can be easily rotated by hand, allowing the bundles to be crossed and rotated at any angle. Cable ties, which secure the bundles, are used with the spacers.

The DSWS5 accepts bundle diameters ranging from 16mm to 152mm and provides a 23.6 mm separation between bundles. The dual swivel saddle spacers accommodate cable ties up to 12.7mm wide.

Application

Primarily designed for use in the automotive/ truck industry, these parts can be used in a wide variety of industries and applications where bundles need separation from each other.



The spacers can be easily rotated by hand, allowing the bundles to be crossed and rotated at any angle.



swivels



DSWS5

Material Data	
Material	Polyamide 6.6 Heat Stabilised (PA66HS)
Operating Temperature	-40 °C to +105 °C continuous
Flammability	UL94 V2



Technical Table

Article-No.	Type	Length (L)	Width (W)	Height (H)	Bundle Ø min.	Bundle Ø max.	Min. Extraction Force (N)	Material	Colour
151-06502	DSWS5	40.6	25.4	23.6	15.8	152	1112	PA66HS	Black (BK)

All dimensions in mm. Subject to technical changes.

Heavy Duty Mounts

Features and Benefits

The heavy-duty mount, when used with a cable tie, eliminates the need to carry multiple sizes of fixed bundle diameter clamps, which reduces inventory and purchasing costs while simplifying the assembly process. The mount and cable tie combination makes it easy to service bundles in the field. Simply remove the cable tie, leave the mount in place, and replace the cable tie. They contain a small tab inside the mounting hole to temporarily engage the threads, which allows assemblers to pre-install the mount on a stud before securing with a washer and a nut.

The arched "H" profile of the saddle surface allows for a broad surface contact with the bundle, minimizing pinching and crushing of the bundles, and adjusts to a wide variety of bundle diameters.



U.S. Patent Number 5,820,083

The heavy-duty mounts are designed for use with HellermannTyton's heavy duty T250, T255 and wide strap cable ties to harness wires and hoses.

Application

Primarily designed for use in the automotive/truck industry, these parts can be used in a wide variety of industries and applications where bundles need mounting.

Material Data	
Material	Polyamide 6.6 High Impact Modified (PA66HIR)
Operating Temperature	-40 °C to +80 °C Continuous, (+105 °C for 500 h)
Flammability	UL94 HB



Standard Torque Mounts

Article-No.	Type	Length (L)	Width (W)	Height (H)	Fixing Hole Ø (FH)	Strap Width max. (G)	Material	Colour
151-00134	HDM19	36.32	19.3	16.75	4.7	12.7	PA66HIR	Black (BK)
151-00437	HDM25	36.32	19.3	16.7	6.35	12.7	PA66HIR	Black (BK)
151-00439	HDM312	36.32	19.3	16.7	7.8	12.7	PA66HIR	Black (BK)

All dimensions in mm. Subject to technical changes.



Standard Torque Mounts

Medium Torque Mounts

Article-No.	Type	Length (L)	Width (W)	Fixing Hole Ø (FH)	Strap Width max. (G)	Material	Colour
151-00441	HDM321	46	24	8.0	12.7	PA66HIR	Black (BK)
151-00442	HDM401	46	24	9.5	12.7	PA66HIR	Black (BK)
151-00443	HDM501	46	24	12.7	12.7	PA66HIR	Black (BK)

All dimensions in mm. Subject to technical changes.



Medium Torque Mounts

High Torque Mounts


Features and Benefits

This mount is designed for use with power-assisted impact wrenches and is moulded with a metal bushing to withstand the forces required to tighten high torque bolts. The high torque double mount secures the bundle directly over the mounting fastener. The cable ties are held in place during assembly with friction tabs inside the cable tie slots.

The mount and cable tie combination makes it easy to service bundles in the field. Simply remove the cable tie, leave the mount in place, and replace the cable tie. The arched "H" profile of the saddle surface allows for a broad surface contact with the bundle, minimizing pinching and crushing of the bundles, and accommodates a wide variety of bundle diameters.

Application

Primarily designed for use in the automotive/truck industry, these parts can be used in a wide variety of industries and applications where bundles need mounting.

Material Data		
	Material	Polyamide 6.6 High Impact Modified, Heat Stabilised (PA66HIRHS)
	Operating Temperature	-40 °C to +110 °C continuous
	Flammability	UL94 HB

Technical Table

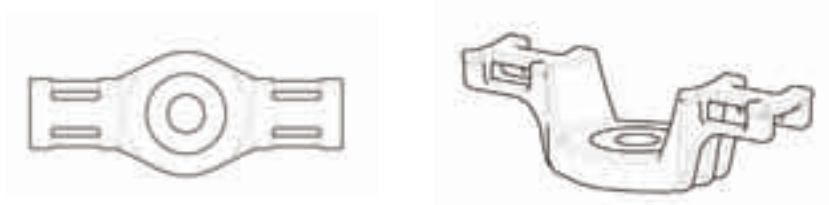
Article-No.	Type	Length (L)	Width (W)	Height (H)	Fixing Hole Ø (FH)	Strap Width max. (G)	Material	Colour
151-00444	HDM320	47	25	–	8.0	12.7	PA66HIRHS	Black (BK)
151-00445	HDM400	47	25	–	9.5	12.7	PA66HIRHS	Black (BK)
151-00446	HDM500	47	25	–	12.7	12.7	PA66HIRHS	Black (BK)

All dimensions in mm. Subject to technical changes.



High Torque Mounts

High Torque Double Mount



High Torque Double Mounts

Technical Table

Article-No.	Type	Length (L)	Width (W)	Height (H)	Fixing Hole Ø (FH)	Strap Width max. (G)	Material	Colour
151-00456	HDM375BDM	87	34.5	–	9.5	12.7	PA66HIRHS	Black (BK)

All dimensions in mm. Subject to technical changes.