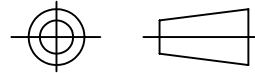


DRAWING No.
151657

SHT. 1
OF
SHTS.

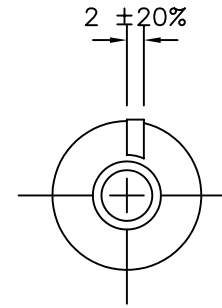
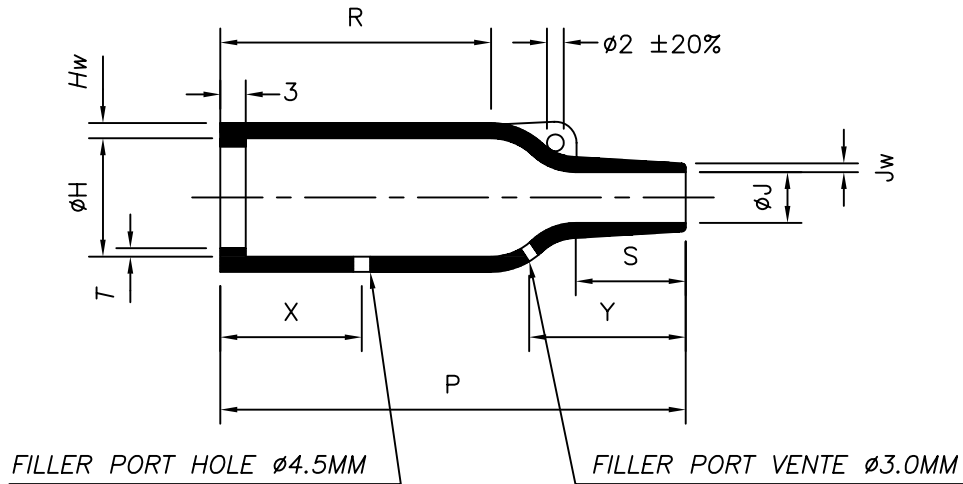
© THE COPYRIGHT OF THIS DRAWING IS RESERVED BY HELLERMANN TYTON. IT IS ISSUED ON CONDITION THAT IT IS NOT COPIED, REPRODUCED OR DISCLOSED TO A THIRD PARTY EITHER WHOLLY OR IN PART WITHOUT THE CONSENT IN WRITING OF HELLERMANN TYTON.

THIRD ANGLE PROJECTION



BS 8888

DO NOT SCALE
IF IN DOUBT ASK



UNCONTROLLED COPY
22/05/07

NOTE: FILLER PORT HOLES AND FILLER PORT VENTS ARE OPTIONAL

| EXPANDED DIA'S AS SUPPLIED | | RECOVERED Ø | | RECOVERED DIMNS | | | | | | | | | |
|----------------------------|---------------|----------------|----------------|-----------------|---------------|----------------|----------------|----------------|---------------|---------------|---------------|----------------|----------------|
| VG 95 343 | H.E. PART No. | H (MIN) | J (MIN) | H (MAX) | J (MAX) | P ±10% | R | S | T ±20% | Hw ±20% | Jw ±20% | X ±20% | Y |
| T06 A 003A | 154-41 | 30.0 (1.18) | 30.0 (1.18) | 14.0 (0.55) | 6.0 (0.24) | 43.0 (1.70) | 20.0 (0.79) | 13.0 (0.51) | 1.0 (0.04) | 1.8 (0.07) | 1.0 (0.04) | 12.0 (0.47) | 18.0 (0.71) |
| T06 B 003A | 154-42 | 30.0 (1.18) | 30.0 (1.18) | 14.0 (0.55) | 6.0 (0.24) | 55.0 (2.16) | 32.0 (1.26) | 13.0 (0.51) | 1.0 (0.04) | 1.8 (0.07) | 1.0 (0.04) | 18.0 (0.71) | 24.0 (0.95) |
| | 154-47 | 18.0 (0.71) | 12.0 (0.47) | 14.0 (0.55) | 6.0 (0.24) | 55.0 (2.16) | 32.0 (1.26) | 13.0 (0.51) | 1.0 (0.04) | 1.8 (0.07) | 1.0 (0.04) | 18.0 (0.47) | 24.0 (0.95) |
| T29 A 003A | 154-61 | 30.0 (1.18) | 15.0 (0.59) | 14.0 (0.55) | 6.0 (0.24) | 43.0 (1.70) | 20.0 (0.79) | 13.0 (0.51) | 1.0 (0.04) | 1.8 (0.07) | 1.0 (0.04) | 12.0 (0.47) | 18.0 (0.71) |
| T29 B 003A | 154-62 | 30.0 (1.18) | 15.0 (0.59) | 14.0 (0.55) | 6.0 (0.24) | 55.0 (2.16) | 32.0 (1.26) | 13.0 (0.51) | 1.0 (0.04) | 1.8 (0.07) | 1.0 (0.04) | 18.0 (0.71) | 24.0 (0.95) |

| | | | |
|-------|----------|-------|----------|
| 6 | P939 | MY | 18/02/02 |
| 5 | P853 | SA | 26/08/99 |
| 4 | P783 | SA | 18/10/97 |
| 3 | P751 | SMP | 22/01/97 |
| ISSUE | NOTE No. | DRAWN | DATE |

HellermannTyton

Pennycross Close, Plymouth, Devon, England PL2 3NX
Tel ++44 (0) 1752 701261 Fax ++44 (0) 1752 790058

| | | | | | | |
|-------|--------------------------|---------|---------|-----------|--------------------------------------|--------|
| NAME | PF | SCALE | NTS | ADHESIVE | A3 | SHT. 1 |
| DATE | 14/02/1992 | DIMS IN | mm (in) | | ORIGINAL SHEET SIZE 420mm x 297mm | OF |
| TITLE | SINGLE WAY BOTTLE SLEEVE | | | PART No. | DRAWING No. | SHTS. |
| | | | | 154-41/42 | 151657 | |