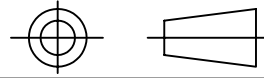


DRAWING No.
151668

SHT. 1
OF
SHTS.

© THE COPYRIGHT OF THIS DRAWING IS RESERVED BY HELLERMANN TYTON. IT IS ISSUED ON CONDITION THAT IT IS NOT COPIED, REPRODUCED OR DISCLOSED TO A THIRD PARTY EITHER WHOLLY OR IN PART WITHOUT THE CONSENT IN WRITING OF HELLERMANN TYTON.

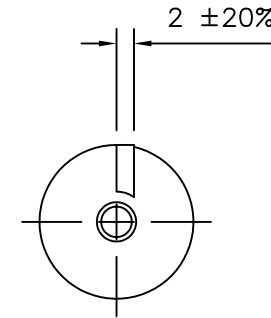
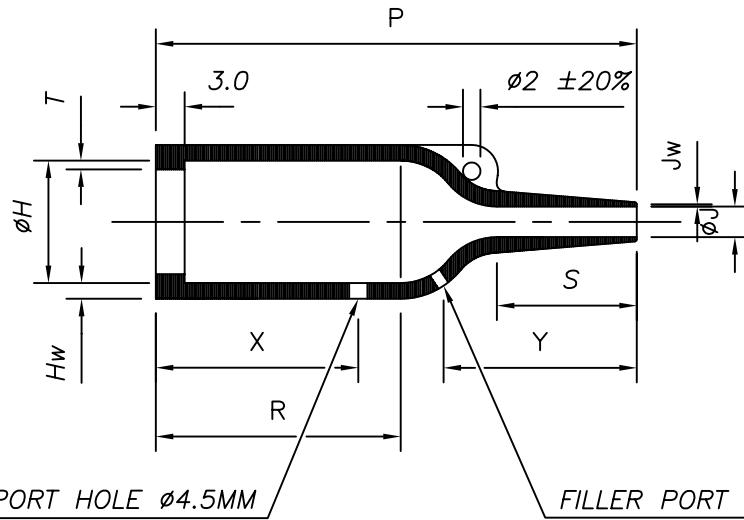
THIRD ANGLE PROJECTION



BS 8888

DO NOT SCALE
IF IN DOUBT ASK

Q.A.	H/S SETT
H/S Q.A.	REL. INSP.
H/S PROD	EXT. ISS. CODE



UNCONTROLLED COPY
22/05/07

FILLER PORT HOLE $\phi 4.5\text{MM}$

FILLER PORT VENT $\phi 3.0\text{MM}$

NOTE: FILLER PORT HOLES AND FILLER PORT VENTS ARE OPTIONAL

EXPANDED DIA'S AS SUPPLIED		RECOVERED DIAMETERS				RECOVERED DIMENSIONS									
VG 95 343	H.E. PART No.	H (MIN)	J (MIN)	H (MAX)	J (MAX)	M $\pm 20\%$	N $\pm 20\%$	P $\pm 10\%$	R	S	T $\pm 20\%$	Hw $\pm 20\%$	Jw $\pm 30\%$	X $\pm 20\%$	Y $\pm 20\%$
T06 A 002A	153-41	25.0 (0.98)	9.0 (0.35)	14.0 (0.55)	3.5 (0.14)	10.5 (0.41)	5.0 (0.20)	40.0 (1.57)	13.0 (0.51)	16.0 (0.63)	1.0 (0.04)	1.8 (0.07)	0.5 (0.02)	12.0 (0.47)	18.0 (0.71)
T06 B 002A	153-42	25.0 (0.98)	9.0 (0.35)	14.0 (0.55)	3.5 (0.14)	10.5 (0.41)	5.0 (0.20)	55.0 (2.16)	28.0 (1.10)	16.0 (0.63)	1.0 (0.04)	1.8 (0.07)	0.5 (0.02)	18.0 (0.71)	24.0 (0.95)
T29 A 002A	153-61	25.0 (0.98)	8.0 (0.31)	14.0 (0.55)	3.5 (0.14)	10.5 (0.41)	5.0 (0.20)	40.0 (1.57)	13.0 (0.51)	16.0 (0.63)	1.0 (0.04)	1.8 (0.07)	0.5 (0.02)	12.0 (0.47)	18.0 (0.71)
T29 B 002A	153-62	25.0 (0.98)	8.0 (0.31)	14.0 (0.55)	3.5 (0.14)	10.5 (0.41)	5.0 (0.20)	55.0 (2.16)	28.0 (1.10)	16.0 (0.63)	1.0 (0.04)	1.8 (0.07)	0.5 (0.02)	18.0 (0.71)	24.0 (0.95)

5	P938	MY	29/01/02
4	P853	SA	26/08/99
3	P783	SA	18/10/97
2	P608	PF	08/06/94
ISSUE	NOTE No.	DRAWN	DATE

HellermannTyton

Pennycross Close, Plymouth, Devon, England PL2 3NX
Tel ++44 (0) 1752 701261 Fax ++44 (0) 1752 790058

NAME	PF	SCALE	NTS	ADHESIVE	A3	SHT. 1
DATE	14/02/1992	DIMS IN	mm (in)		ORIGINAL SHEET SIZE 420mm x 297mm	OF
TITLE	SINGLE WAY BOTTLE SLEEVE			PART No.	153	SHTS.
				DRAWING No.	151668	