

Help with choosing the right products

Every area a cable management product is used requires an element of health and safety consideration to protect against loss, damage or increased risk of fatalities. To help you make the right choices depending on the installation, HellermannTyton has developed a simple graphical key. Look out for these icons throughout this section.



Construction



Water



Railway



Electricity



Aerospace



Telecommunications



Automotive



Gas



Defence



Utilities



High Chemical Resistance



Tamper Proof



LFH



Low Smoke/fumes



High Oxygen Index



High Temperature Resistance



High Abrasion Resistance



High Strength



VO



Resistance to Moisture



Zero Conductivity



Metal Detectable



Halogen Free



High Resistance to UV Light



	Page
4.1 Sleeving	70-73
4.2 Lubricants & Applicator Tools	74
4.3 Heat Guns	75
4.4 Heatshrinkable Tubing & Caps	76-82
4.5 Braided Sleeving	83-85
4.6 Cable Protection	86-92
4.7 Trunking	93
4.8 Edge Protection	94

LFH sleeving LFPT

Features and Benefits

LFPT has been designed for use where limited fire hazard or zero halogen insulations are required.

Application

These limited fire hazard (LFH) sleeves are zero halogen, making them ideal for protecting wire and cable in areas where smoke and fume emissions must be minimised.

They are supplied as continuous tubing on reels.

The tubing is available in new phase colours.

Material Data	
Material	Polyolefin
Operating	-40°C to +90°C Intermittent +120°C
Flammability	UL94 VO at 3mm thickness Zero halogen, low smoke toxicity
Specification	RSE/STD/013



LFH tubing LFPT

LFPT						
Reference	Colour	Ø D	Wall thickness nom.	Reel Length (m)	Price	
LFPT20	Black, brown, grey, blue and green-yellow	2.0	0.50	100	£42.59	
LFPT30	Black, brown, grey, blue and green-yellow	3.0	0.50	100	£43.96	
LFPT40	Black, brown, grey, blue and green-yellow	4.0	0.50	100	£44.08	
LFPT50	Black, brown, grey, blue and green-yellow	5.0	0.50	100	£45.47	
LFPT60	Black, brown, grey, blue and green-yellow	6.0	0.50	100	£48.29	
LFPT80	Black, brown, grey, blue and green-yellow	8.0	0.70	100	£52.18	
LFPT100	Black, brown, grey, blue and green-yellow	10.0	0.85	100	£58.34	

All dimensions are in mm. Subject to technical changes.



Helsyn Rubber Sleeves

- Ideally suited to rigorous environments
- Extensive range of tubing
- Extruded from the highest-grade elastomeric compound
- Excellent elasticity along with mechanical and electrical protection
- The tubing can be stretched x5 in fitting and x2 in use
- Can reduce your stock holding as one size of tube covers a wide range of cable diameters

Helsyn	
Reference	H
Name	Helsyn 120
Material	Polychloroprene Rubber
Min. Working Temperature	65°C
Max. Working Temperature	95°C
Intermittent Temperature	120°C
Proof Voltage	4kV
Good Resistance To	Mineral and Vegetable Oils, Aromatic Fuels, Acids, Alkalis,
Material Specification	BS3G198 Part 1 Type 1, Def Stan 59-15 Types D2a and D2c, BS3858 Type 1
Standard Colour	Black - Packs of 100 and 1000
Other Colours	Brown, red, orange, yellow, green, blue, violet, grey, white and pink – packs of 1,000 only

Applicator Tool and Hellerine see page 74



Helsyn Cut Sleeves					
Reference	ID	Colour	Pack Qty	Price	
H12 x 20	1.2mm dia x 20mm long	Black	1000 100	£11.28 £1.27	
H15 x 20	1.5mm dia x 20mm long	Black	1000 100	£11.86 £1.30	
H20 x 20	2.0mm dia x 20mm long	Black	1000 100	£13.21 £1.52	
H30 x 25	3.0mm dia x 25mm long	Black	1000 100	£17.41 £1.93	
H50 x 25	5.0mm dia x 25mm long	Black	1000 100	£22.38 £2.46	
H75 x 25	7.5mm dia x 25mm long	Black	1000 100	£40.73 £4.14	
H100 x 25	10.0mm dia x 25mm long	Black	1000 100	£84.79 £9.47	
H150 x 25	15.0mm dia x 25mm long	Black	1000 100	£113.83 £12.44	
H200 x 25	20.0mm dia x 25mm long	Black	1000 100	£139.19 £15.72	

All dimensions are in mm (nominal) and are subject to technical modification. Other lengths, including, continuous, available subject to price and MOQ requests.



Sleeve expansion applicator tools ensures easy application of elastomeric products NA 8/5 (left), D, SS, S, K (right).



PVC Sleeving

- Commercial PVC Sleeving
- Highly Flexible Insulation
- Can be used for identification

PVC	
Reference	PVC
Material	PVC
Min. Working Temperature	-40°C
Max. Working Temperature	85°C
Material Specification	BS2848 Type 3, Class 85T
Standard Colour	Black, blue, brown, grey, green-yellow



Reference	ID	Wall Thickness	Colours	Coil Length	Price
PVC20 (colour)	2.0	0.5	Black, Blue, Brown, Grey	100m	£3.89
PVC30 (colour)	3.0	0.5	Black, Blue, Brown, Grey	100m	£4.45
PVC40 (colour)	4.0	0.5	Black, Blue, Brown, Grey	100m	£5.50
PVC50 (colour)	5.0	0.5	Black, Blue, Brown, Grey	100m	£6.08

All dimensions are in mm (nominal) and are subject to technical modification. Further sizes available on request.

Reference	ID	Wall Thickness	Colours	Coil Length	Price
PVC20/GY2	2.0	0.5	Green-yellow	100m	£3.17
PVC30/GY3	3.0	0.5	Green-yellow	100m	£4.24
PVC40/GY4	4.0	0.5	Green-yellow	100m	£5.24
PVC50/GY5	5.0	0.5	Green-yellow	100m	£5.79
PVC60/GY6	6.0	0.5	Green-yellow	100m	£6.93
PVC80/GY8	8.0	0.5	Green-yellow	100m	£9.33
PVC100/GY10	10.0	0.5	Green-yellow	100m	£13.21
PVC120/GY12	12.0	0.5	Green-yellow	100m	£15.94
PVC160/GY16	16.0	0.5	Green-yellow	100m	£23.75

All dimensions are in mm (nominal) and are subject to technical modification. Further sizes available on request.

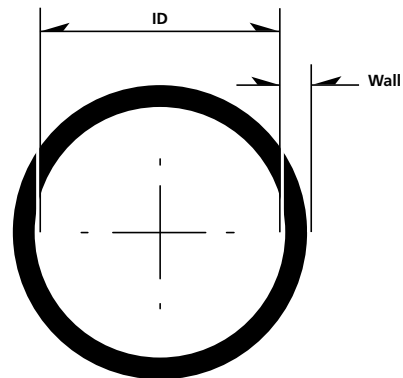


PVCB Sleeving

- Highly flexible PVCB tubing
- Exceptional value for money
- Wide range of uses in automotive and white goods manufacturing
- Ideally suited to cable and wire protection.

PVCB					
Reference		PVCB			
Material		PVC			
Min. Working Temperature		-65°C			
Max. Working Temperature		105°C			
Good Resistance To		Moisture, Oils, Acids & Fuels			
Material Specification		BS2848 Type 3 Class 105T			
Standard Colours		Black			
Reference	ID	Wall Thickness	Colours	Coil Length	
PVCB10BK	1.0	0.5	Black	100m	£4.31
PVCB15BK	1.5	0.5	Black	100m	£4.88
PVCB20BK	2.0	0.5	Black	100m	£5.50
PVCB25BK	2.5	0.5	Black	100m	£6.58
PVCB30BK	3.0	0.5	Black	100m	£7.33
PVCB40BK	4.0	0.5	Black	100m	£8.85
PVCB50BK	5.0	0.5	Black	100m	£10.50
PVCB60BK	6.0	0.5	Black	100m	£12.03
PVCB70BK	7.0	0.7	Black	100m	£13.73
PVCB80BK	8.0	0.7	Black	100m	£14.30
PVCB90BK	9.0	0.7	Black	100m	£15.38
PVCB100BK	10.0	0.7	Black	100m	£17.14
PVCB120BK	12.0	0.9	Black	100m	£23.16
PVCB130BK	13.0	0.9	Black	100m	£23.96
PVCB150BK	15.0	0.9	Black	100m	£27.26
PVCB200BK	20.0	0.9	Black	50m	£21.58
PVCB250BK	25.0	0.9	Black	50m	£27.14

All dimensions are in mm (nominal) and are subject to technical modification. Further colours available on request.



Hellerine

Hellerine M grade is a fungistatic lubricating oil designed to dry slowly so that the components stay lubricated longer, offering a wider scope for planning assembly procedures for cable looming work.

Hellerine M is ideal for lubricating most rubber and plastic cable markers. It can also be used as a wire and cable pulling lubricant.

Hellerine Data	
Operating Temperature	-10°C to +150°C, Flash Point +180°C
Specific Gravity	0.88 - 0.90
Redwood Viscosity	137.3 - 165.3
Relevant Standards	AFS. No 611A (DTD900/4877)



Hellerine		
Reference	Description	Price
LUB-M-284ML	284 ml container x 4	£15.76

Three Pronged Sleeve Expansion Applicator Tools

Features

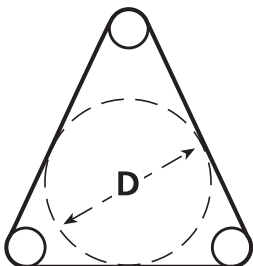
The latest, simplest way of fitting elastomeric sleeves and markers. Four fixed prong model caters for all internal diameters from 1.2mm - 25.5mm. The D Kit contains everything you need to fit sleeves with internal diameters from 1.2mm - 11.5mm. The D Kit includes tool body, three sets of interchangeable prongs, 1 bottle Hellerine lubricant and a prong assembly locator.



Sleeve expansion applicator tools ensures easy application of elastomeric products NA 8/10 (left), D, SS, S, K (right).

Sleeve Expanders						
Reference	For Tubes From	For Tubes To	Max D	Max Sleeve Length	Pack Qty	Price
D Kit	1.2	11.5	—	—	1	£33.72
SFT3032	replacement body for D Kit		—	—	1	£23.83
SFT3033	replacement prongs for D Kit 1.2 to 3.0		—	—	1	£7.70
SFT3034	replacement prongs for D Kit 3.0 to 5.0		—	—	1	£7.70
SFT3035	replacement prongs for D Kit 5.5 to 11.5		—	—	1	£7.70
SS	1.20	2.00	15.00	20.0	1	£22.01
S	2.50	4.00	15.00	20.0	1	£22.01
K	5.00	10.00	17.00	32.0	1	£22.01
NA 8/10	12.00	17.00	25.50	60.0	1	£55.77

All dimensions are in mm and are subject to technical modification. Details are available upon request.



Three Pronged Tool
D = maximum available diameter

Ordering Example: SS

Sleeve expansion tool for tubes ranging between 1.2 to 2.0

Weldy Plus

- Intelligent terminal display
- Stand-by for eco drive
- Memory function
- The last select functions (function program) are immediately available again after switching the tool off and then on again
- 7 function programmes



Weldy Plus		Reference	Code	Voltage	Output	Temp Range	Airflow	Weight	Pack Qty	Price
Weldy Plus	999-213	110V	2000W	+80°C to +650°C	-	620g	1	£98.87		
Weldy Plus	999-323	230V	2000W	+80°C to +650°C	-	620g	1	£98.87		

Weldy Pro

- Electronic temperature adjustment from 100°C to 550°C
- Air flow adjustment via two-step switch
- Compact and lightweight



Weldy Pro		Reference	Code	Voltage	Output	Temp Range	Airflow	Weight	Pack Qty	Price
Weldy Pro	999-212	110V	1800W	+100°C to +550°C	-	570g	1	£62.92		
Weldy Pro	999-322	230V	1800W	+100°C to +550°C	-	570g	1	£62.92		

Weldy Pic

- Standard two step heat gun
- Two temperature and airflow settings
- Light weight and ergonomic design
- Available in 230V with a UK plug
- Full range of accessories available below



Weldy Pic		Reference	Code	Voltage	Output	Temp Range	Airflow	Weight	Pack Qty	Price
Weldy Pic	999-321	230V	1600W	+350°C to +500°C	350/500 l/min	500g	1	£47.19		

Weldy Accessories				
Reference	No.	Description	Pack Qty	Price
990-805	1	Welding Nozzle	1	£8.76
990-804	2	Reflector Nozzle	1	£6.52
990-801	3	Glass Protection Nozzle	1	£6.52
990-802	4	Wide-Slot Nozzle	1	£6.52
990-803	5	Reduction Nozzle Ø 20mm	1	£4.61
990-806	6	Overlap Welding Nozzle	1	£8.76
990-807	7	Pressure Roller	1	£5.56
990-808	8	Solder Sleeve Reflector	1	£19.04



Tredux

With TREDUX; HellermannTyton has set a new standard in heat shrink tubing - a shrink ratio up to 3:1.

- Internal diameter up to 101.6mm
- 9 sizes from 1.5 mm to 101.6 mm with a shrink ratio of up to 3:1 to cover the range of diameters, compared with 14 sizes for 2:1
- Conforms very well to highly variable substrate dimensions
- TREDUX replaces many different sized tubing solutions by fitting almost any heat shrink task
- Flexible thin walled design gives faster shrink
- Available in 1m lengths in display carton
- E-beam Crosslinked Polyolefin
- Black or green/yellow

Note: Each length is labelled and bar coded allowing for simple inventory control

- A high quality merchandiser is available to stockists
- Compact and easy to fill metal display, including a dispenser rack with product folders



TREDUX shrinks as much as 3:1.

TREDUX heat shrinking tubing	
Material	E-beam Crosslinked Polyolefin
Min. shrink temperature	90 °C
Continuous operating temperature	-55 °C to +125 °C
Dielectrical Strength	19.7 kV/mm min.
Voltage Rating	600 V
Flammability	60 sec. max., ASTM D 2671
Copper Corrosion	pass UL224 test method
Shrink ratio	3:1 for sizes 1.5/0.5 mm to 24/8 mm, 2:1 for sizes 38.1/19.1 mm to 101.6/50.8 mm

TREDUX Display Stand

Tredux Display Stand		
Reference	Contents	Price
319-30000	Choose from below	£237.59

TREDUX Refill Cartons

TREDUX				
Reference	Size in mm	Number of 1m lengths in each display carton	Price	
319-00150	1.5/0.5	10	£18.34	[Image of a display stand filled with various sizes of TREDUX tubing]
319-00300	3/1	10	£18.83	
319-00600	6/2	10	£22.68	
319-01200	12/4	10	£32.97	
319-02400	24/8	10	£48.51	
319-03800	38.1/19.1	2	£23.74	
319-05100	50.8/25.4	1	£16.25	
319-00307	3/1	10	£26.32	
319-00607	6/2	10	£31.78	
319-01207	12/4	10	£46.20	
319-02407	24/8	3	£67.97	



HIS 3

HIS 3, unlined tubing with 3:1 shrink ratio, is ideal for highly variable substrate dimensions. Only five sizes are needed to cover the same range of diameters from 1mm to 20mm compared with the ten needed with a 2:1 shrink ratio, reducing your inventory by half. To augment the HIS-3 range, 9mm-3mm and 18mm-6mm tubing are also available.

HIS-3	
Material	E-beam Crosslinked Polyolefin
Shrink ratio	3:1
Long. change after shrinkage	-10% max.
Min. shrink temperature	+110 °C
Cont. operating temperature	-55 °C to +125 °C
Dielectrical Strength	25kV/mm, ASTM D 876
Flammability	self-extinguishing, ASTM 2671



HIS-3 can fit highly variable substrate dimensions.

HIS-Service Station

This sturdy Service Station contains up to 5 dispensers. It can be put on a bench or mounted to a wall. A special cutter is included making it easy to cut the tubing length as desired.

HIS - Service Station			
Reference	Type	Pack Qty	Price
365-30100	HIS Service Station with Cutter Contains 5 HIS-3 dispenser boxes (black). Sizes are as follows: HIS 3-1, HIS-6-2, HIS 12-4 (2 packs.), HIS 24-8	1	£90.41
300-30000	HIS Service Station with Cutter. Frame supplied separately, without any dispenser cartons. Special order only.	1	£27.56



HIS-Service Station contains 5 dispensers and a special cutter.

Order example

308-3060 X

Colour code

Replace the **X** with the code number of the desired colour. For instance, if you were to order the HIS-3-6-2 in red the complete order number would be 308-30602.

Colour-Coding

Colour	Colour digit
Black (BK)	0
Red (RD)	2
Blue (BE)	6
Transparent (TT)	3
Green/Yellow* (GN/YW)	7

*can be supplied from 3 - 1 upwards

Dispenser Boxes

Reference	Type	Inside Diameter in mm		Wall thickness in mm fully recovered nominal	Length in m	Price of refill boxes
		min. expanded as supplied	max. recovered after heating			
308-3015X	HIS-3 1.5-0.5 (Colour)	1.5	0.5	0.50	10	£18.19
308-3030X	HIS-3 3-1 (Colour)	3.0	1.0	0.60	10	£18.19
308-3060X	HIS-3 6-2 (Colour)	6.0	2.0	0.70	5	£18.19
308-3090X	HIS3 9-3 (Colour)	9.0	3.0	0.80	5	£18.19
308-3120X	HIS3 12-4 (Colour)	12.0	4.0	0.85	5	£18.19
308-3180X	HIS3 18-6 (Colour)	18.0	6.0	1.00	4	£18.19
308-3240X	HIS3 24-8 (Colour)	24.0	8.0	1.20	3	£18.19

All dimensions in mm. Subject to technical changes.

Black available from stock, other colours available on request

An adhesive lined tubing with a 3:1 shrink ratio (ref. HIS-A) is also available in black.

TR27**Features and Benefits**

TR27 is a thin wall, halogen free tubing and is self-extinguishing with flame retardant properties. It is also a low smoke and toxicity product.

Application

TR27 is used in applications where toxic emissions evolved in a fire must be minimised, e.g. heavily populated buildings or safety sensitive areas like tunnels, hospitals, schools, theatres, mass transit vehicles and computer centres.



TR27 is ideal for zero halogen applications

Material Data

Material	Polyolefin, Cross-linked (POX)
Colour	Black (BK)
Shrink Ratio	2:1
Operating Temperature	-40oC to +105oC
Minimum Shrink Temperature	+115oC
Flammability	Limited Fire Hazard, Halogen Free, Low Smoke & Toxicity
Longitudinal change after shrinkage	+5%/-10% max.
Dielectric Strength	15 kV/mm according to IEC 60684 P2
Specification	DEF STAN 59-97/3, LUL Engineering Standard E1042:A6

Technical Table

Type	Supplied Ø D	Recov. Ø d	Wall (WT) nom.	Length (L) (m)	Price
TR27-3.2/1.6	3.2	1.6	0.51	150	£205.75
TR27-4.8/2.4	4.8	2.4	0.51	60	£124.51
TR27-6.4/3.2	6.4	3.2	0.64	60	£170.94
TR27-9.5/4.8	9.5	4.8	0.64	60	£202.59
TR27-12.7/6.4	12.7	6.4	0.64	60	£240.58
TR27-19.1/9.5	19.1	9.5	0.76	60	£278.62
TR27-25.4/12.7	25.4	12.7	0.89	60	£295.45
TR27-38.1/19.1	38.1	19.1	1.02	60	£449.50
TR27-50.8/25.4	50.8	25.4	1.14	60	£702.75

All dimensions in mm. Subject to technical changes.



Heatshrink Tubing

Heatshrink tubing is ideal for protecting wires and cables.

HCP (BPO) Polyolefin Tubing

A high performance, flexible, cross linked, Polyolefin tubing specially formulated to produce a heat shrinkable tubing with a continuous operating temperature of 135°C. Excellent tensile strength.

HCP Polyolefin Tubing	
Operating Temperature	-55°C to +135°C
Shrink Temperature	120°C
Shrink Ratio	2:1
Flammability	Self extinguishing and highly flame retarded
Dielectric Strength	29 kV/mm
Longitudinal Shrink Ratio	5% max

HCP Polyolefin Tubing						
Reference	Supplied ID	Recovered ID	Nominal Recovered Wall	Colour	Coil Length	Price
HCP16 (Black)	1.6	0.8	0.41	Black	30m	£11.93
HCP24 (Black)	2.4	1.2	0.41	Black	30m	£12.90
HCP32 (Black)	3.2	1.6	0.53	Black	30m	£13.47
HCP48 (Black)	4.8	2.4	0.53	Black	30m	£14.28
HCP64 (Black)	6.4	3.2	0.53	Black	30m	£17.54
HCP95 (Black)	9.5	4.8	0.67	Black	30m	£19.15
HCP127 (Black)	12.7	6.4	0.67	Black	30m	£21.33
HCP190 (Black)	19.0	9.5	0.82	Black	30m	£34.11
HCP254 (Black)	25.4	12.7	1.13	Black	30m	£56.76
HCP381 (Black)	38.1	19.0	1.02	Black	30m	£102.05
HCP508 (Black)	50.8	25.4	1.14	Black	30m	£168.21
HCP762 (Black)	76.2	38.1	1.27	Black	15m	£126.36
HCP1016 (Black)	101.6	50.8	1.40	Black	15m	£235.86

All dimensions are in mm (nominal) and are subject to technical modification.
Red, blue, yellow, green/yellow available to special order.
Also available in 60m or 150m coils according to size.

HSK Heatshrink Kits

Each kit contains 1m lengths of heatshrinkable polyolefin in each of 5 colours - Blue, Black, Grey, Brown and Green-Yellow.

Kit Ref. HSK64	£14.51
Kit Ref. HSK127	£14.51
Kit Ref. HSK190	£14.51
Kit Ref. HSK254	£14.51

PHSK Heatshrink Kits

Each kit contains 1 metre lengths of 3 sizes of heatshrink PVC in each of 4 colours - Blue, Black, Grey and Brown.

Kit Ref. PHSK3	£8.83
1 metre each of 6.4mm, 9.5mm and 12.7mm diameter heatshrink.	
Kit Ref. PHSK4	£12.04
1metre each of 12.7mm, 19mm and 25.4mm diameter heatshrink.	



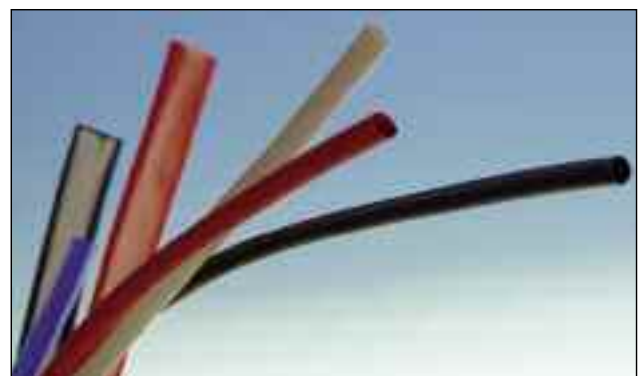
LVR (HST) Heatshrink Tubing

PVC heatshrink tubing with 2:1 shrink ratio. Supplied polythene wrapped for ease of use.

LVR Heatshrink Tubing	
Operating Temperature	-20°C to +105°C
Shrink Temperature	135°C
Shrink Ratio	2:1
Dielectric Strength	15 kV/mm
Longitudinal Shrink Ratio	10% max

LVR Heatshrink Tubing					
Reference (BK,RD,YW,BE)	Supplied ID	Recovered ID	Recovered Wall mm (nom)	Coil Length	Price
LVR24	2.4	1.2	0.45	100m	£19.38
LVR32	3.2	1.6	0.45	100m	£20.41
LVR48	4.8	2.4	0.50	100m	£20.87
LVR64	6.4	3.2	0.60	100m	£22.70
LVR95	9.5	4.8	0.60	50m	£17.77
LVR127	12.7	6.4	0.65	50m	£20.52
LVR190	19.0	9.5	0.80	25m	£18.35
LVR254	25.4	12.7	1.00	25m	£28.32
LVR381	38.1	19.1	1.25	25m	£53.89

Standard colour - black.



HFT-A Polyolefin Heatshrink

- Crossed linked semi-flexible polyolefin heatshrink sleeving
- Shrinks uniformly to form a permanent insulation covering
- Ideal for use as an insulation over cable joints or terminations
- Also frequently used for cable bundling in harness work
- Recovers and conforms to the shape of the substrate
- Transparent HFT-B is also available for the use where the substrate has to be visible
- Please note HFT-B transparent is not flame retarded



Heatshrink Tubing (HFT-A)	
Material	Polyolefin
Shrink Ratio	2:1 & 3:1
Min. Working Temperature	-55°C
Max. Working Temperature	135°C
Intermittent Temperature	225°C
Min Shrink Temperature	100°C
Flame Retardency UL94	V2
Dielectric Strength	25kV/mm
Fluid Resistance	Good
Good Resistance To	Acids, Alkalis, Fluids & Oil
Material Specification	Def Stan 59-97/3, Type 2a and 2b
Standard Colour	Black (BK). Other colours available BE, RD, YW, WE, TT subject to MOQ prices on application

Heatshrink Tubing (HFT-A)						
Reference	Supplied ID	Recovered ID	Nominal Recovered	Colour Wall	Coil	Price
HFT-A-2:1 Shrink Ratio						
HFT-A16	1.6	0.8	0.41	Black	100m	£91.92
HFT-A24	2.4	1.2	0.41	Black	100m	£97.70
HFT-A32	3.2	1.6	0.53	Black	100m	£105.11
HFT-A48	4.8	2.4	0.53	Black	75m	£96.55
HFT-A64	6.4	3.2	0.53	Black	75m	£119.47
HFT-A95	9.5	4.8	0.67	Black	50m	£88.21
HFT-A127	12.7	6.4	0.67	Black	50m	£109.51
HFT-A190	19.0	9.5	0.82	Black	25m	£66.62
HFT-A254	25.4	12.7	1.13	Black	25m	£94.46
HFT-A381	38.1	19.0	1.02	Black	50m	£327.84
HFT-A508	50.8	25.4	1.14	Black	35m	£434.10
HFT-A762	76.2	38.1	1.27	Black	25m	£401.06
HFT-A1016	101.6	50.8	1.40	Black	25m	£589.66
All dimensions are in mm (nominal) and are subject to technical modification. Standard colour - black. Colours available on request.						

ShrinkKit 321

ShrinkKit 321 is a family of three heat shrink tubing assortments in attractive and handy assembly kits. The range consists of ShrinkKit 321 Basic, ShrinkKit 321 Universal and ShrinkKit 321-A (a dual wall tubing). With their ideal shrink ratio of 3:1 these products replace many differently sized tubing solutions by fitting almost any heat shrink requirements. Each compartment is identified and contains set lengths.

Shrinkkit 321 Basic **£10.83**

Each kit contains 1.5-0.5, 3-1, 6-2, 12-4 diameters in BK

Shrinkkit 321 Universal **£46.70**

Each kit contains 1.5-0.5, 3-1, 6-2, 12-4, 24-8 diameters in BK, BU, RD, CL and GNYE

Shrinkkit 321-A **£48.37**

Each kit contains 3-1, 6-2, 12-4, 24-8 diameters in BK and CL



The right tubing size at hand for any application. ShrinkKit 321 Universal, ShrinkKit 321-A and ShrinkKit 321 Basic.

IMCSA

- IMCSA is an adhesive medium walled polyolefin sleeving
- Shrink ratio of up to 4:1
- Provides a tough and flexible insulation
- Ideal for protection of underground cable joints and cable terminations
- Also available without an adhesive lining - IMCS
- The adhesive linings have a recovered thickness of 0.8mm

IMCSA	
Material	Medium Walled Polyolefin
Shrink Ratio	4:1
Min Working Temperature	-55°C
Max Working Temperature	115°C
Intermittent Temperature	175°C
Min Shrink Temperature	135°C
Dielectric Strength	11kV/mm
Good Resistance To	Acids, Alkalis, Fuels & Oil
Standard Colour	Black (BK)



IMCSA						
Reference	Supplied	Recovered ID	Nominal ID	Colour Recovered Wall	Coil Length	Price
IMCSA12-3BK	12.0	3.0	2.0	Black	1m	£4.86
IMCSA19-6BK	19.0	6.0	2.5	Black	1m	£7.35
IMCSA27-8BK	27.0	8.0	2.5	Black	1m	£9.67
IMCSA32-7.5BK	32.0	7.5	2.5	Black	1m	£12.10
IMCSA38-12BK	38.0	12.0	2.5	Black	1m	£14.24
IMCSA50-18BK	50.0	18.0	2.5	Black	1m	£20.66

All dimensions are in mm (nominal) and are subject to technical modification.

HMT200A

- Hot melt adhesive tape
- Designed for use with heat-shrink sleeveings and mouldings
- The tape flows when heated and provides permanent air and water tight seals
- Supplied in 50m rolls.

Hot Melt Adhesive Tape (HMT 200A)		
Min Working Temperature	-55°C	
Max Working Temperature	105°C	
Softening Point	110°C	
Peel Strength	XLPE/Metal 100N / 25mm	
Halogen Content	XLPE/XLPE 210N / 25mm PVC/PVC 80N / 25mm	
Standard Colours	Def Stan 59-97 Type W (w) Golden Brown	
Reference	Description	Price
HMT200A	50m	£16.79



HEK Cable End Caps

Features and Benefits

End caps are used to seal cables during storage or transportation. HEK end caps can be used as an insulating cap for live LV cables (0.6/1kV), and the cap is marked with a lightning flash to indicate a live circuit. The adhesive lining provides an excellent environmental seal.

End caps can be fitted with air valves for certain pressurised cable applications. The high shrink ratio minimises the number of end cap sizes needed.

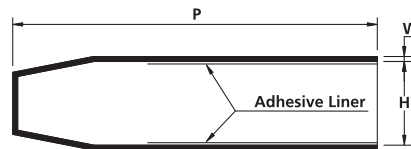
Application

End caps are suitable for use on both polymeric and paper insulated, lead jacketed cables which may include aluminium or steel armouring.



The appropriate end cap for every cable diameter, and cable type.

Material Data	
Material	Polyolefin, Chemically cross-linked (POX)
Colour	Black (BK)
Shrink Ratio	up to 3:1
Minimum Shrink Temperature (Metric)	+135°C
Operating Temperature	-55°C to +70°C
Dielectric Strength (Metric)	15 kV/mm
Flammability	ASTM D635



HEK								
Reference	Recomm. Application cable diameter		Supplied Size H min a + or - 10%	Smallest Shrink Size H max a + or - 10%	Fully recovered		Pack Qty	Price
	From	To			P ±10%	HW ±20%		
Standard Range Cable Cap								
1612-1-B8W	4.0	8.0	10.0	4.0	33.5	2.0	1	£0.29
1613-1-B8W	8.0	16.0	20.0	7.5	55.3	2.3	1	£0.43
1614-1-B8W2	16.0	32.0	40.0	15.0	90.0	3.0	1	£0.75
1615-1-B8W2	26.0	51.0	63.0	25.0	143.0	3.3	1	£1.15
1615-2-B8W2	26.0	44.0	55.0	25.0	143.0	3.3	1	£1.15
1617-1-B8W2	32.0	61.0	76.0	30.0	158.0	4.0	1	£1.61
1616-1-B8W2	48.0	80.0	100.0	45.0	162.0	4.0	1	£2.07
1616-7-B8W	48.0	100.0	125.0	45.0	162.0	4.0	1	£2.55
Special Range Cable Cap								
1618-1-B8W	6.0	11.0	14.0	6.0	55.3	2.3	1	£0.46
1601-1-B8W	10.0	19.0	23.8	9.4	89.0	2.0	1	£1.10
1620-1-B8W	13.0	28.0	35.0	12.7	184.0	3.3	1	£2.12
1608-1-B8W	70.0	130.0	159.0	63.5	127.0	3.3	1	£9.93

All dimensions in mm. Subject to technical changes

- a) As supplied
- b) Recovered



Helagaine Braided Sleeving

- Helagaine is a range of expandable braided sleeving
- Offers a simple method of protecting cables, hoses and wire bundles
- Lightweight woven sleeving, available in three materials
- Covers a wide range of cable diameters
- Helagaine can also be used for cosmetic purposes making very neat and aesthetically pleasing wire looms
- Use HSG0 hot cutting tool to prevent fraying



Polyester Braided Sleeving	
Name	Helagaine
Material	Polyester
Min Working Temperature	-50°C
Max. Working Temperature	150°C
Intermittent Temperature	220°C
Flammability	V2
Halogen Content	Halogen Free
Standard Colours	Black (BK) or Grey (GY)

Polyester VO Braided Sleeving	
Name	Helagaine
Material	Polyester VO
Min Working Temperature	-50°C
Max. Working Temperature	150°C
Intermittent Temperature	220°C
Flammability	V0
Standard Colours	Grey with Black Thread

PA66 Braided Sleeving	
Name	Helagaine
Material	PA66
Min Working Temperature	-60°C
Max. Working Temperature	160°C
Intermittent Temperature	200°C
Flammability	V2
Halogen Content	Halogen Free
Standard Colours	Grey (GY)

Polyester Braided Sleeving				
Reference	Min ID	Max ID	Coil Length	Price
HEGP05(BK) / HEGP05(GY)	3.0	9.0	100m	£15.75
HEGP10(BK) / HEGP10(GY)	7.0	15.0	100m	£24.36
HEGP15(BK) / HEGP15(GY)	10.0	20.0	100m	£42.21
HEGP20(BK) / HEGP20(GY)	14.0	26.0	50m	£22.16
HEGP25(BK) / HEGP25(GY)	18.0	34.0	50m	£30.45
HEGP30(BK) / HEGP30(GY)	20.0	40.0	50m	£40.11

All dimensions are in mm (nominal) and are subject to technical modification.
Note: Short coils available to special order.

Polyester VO Braided Sleeving					
Reference	Min ID	Max ID	Colours	Coil Length	Price
HEGPV002	2.0	3.0	Grey (GY)	100m	£18.06
HEGPV003	2.0	5.0	Grey (GY)	100m	£23.63
HEGPV004	3.0	7.0	Grey (GY)	100m	£28.40
HEGPV005	4.0	9.0	Grey (GY)	100m	£33.34
HEGPV006	5.0	11.0	Grey (GY)	100m	£38.12
HEGPV008	7.0	13.0	Grey (GY)	100m	£48.83
HEGPV0010	9.0	15.0	Grey (GY)	50m	£29.24
HEGPV0012	11.0	17.0	Grey (GY)	50m	£35.70
HEGPV0015	13.0	20.0	Grey (GY)	50m	£40.69
HEGPV0020	18.0	25.0	Grey (GY)	50m	£62.90
HEGPV0025	22.0	30.0	Grey (GY)	50m	£70.98
HEGPV0030	27.0	40.0	Grey (GY)	50m	£96.29
HEGPV0040	35.0	50.0	Grey (GY)	50m	£127.37
HEGPV0050	45.0	60.0	Grey (GY)	50m	£149.42

All dimensions are in mm (nominal) and are subject to technical modification.

PA66 Braided Sleeving					
Reference	Min ID	Max ID	Colours	Coil Length	Price
HEGPA6603H-(6TS3)	2.0	4.0	Grey (GY)	200	£28.14
HEGPA6604H-(6TS5)	3.0	6.0	Grey (GY)	200	£39.32
HEGPA6605H-(6TS6)	3.0	7.0	Grey (GY)	200	£49.25
HEGPA6608H-(6TS8)	5.0	10.0	Grey (GY)	100	£30.77
HEGPA6610H-(6TS10)	7.0	12.0	Grey (GY)	100	£37.49
HEGPA6612H-(6TS12)	8.0	14.0	Grey (GY)	100	£44.99
HEGPA6614H-(6TS16)	10.0	16.0	Grey (GY)	100	£57.86
HEGPA6616H-(6TS18)	12.0	18.0	Grey (GY)	50	£29.93
HEGPA6620H-(6TS20)	15.0	23.0	Grey (GY)	50	£36.96
HEGPA6625H-(6TS25)	18.0	28.0	Grey (GY)	50	£50.66
HEGPA6630H-(6TS30)	25.0	32.0	Grey (GY)	50	£56.96
HEGPA6640H-(6TS40)	30.0	44.0	Grey (GY)	50	£87.68
HEGPA6650H-(6TS50)	40.0	55.0	Grey (GY)	50	£115.50

All dimensions are in mm (nominal) and are subject to technical modification.
Colour options - NN - Standard colour grey. Black available on request.



exc HEGPVO

Helagaine HLB

Features and Benefits

Helagaine HLB polyester braided sleeving has an expansion ratio of 3:1. With diameters running from 5mm to 54mm, just 3 sizes of the versatile Helagaine HLB covers a very wide range of applications. Large differences in diameter, for instance due to cable jacks and connectors, are easy to handle.

The sleeves are supplied in practical 10m reels in dispenser boxes. The boxes protect the sleeves and can be efficiently stocked. The dispenser opening also guarantees easy extraction of the sleeves.

Application

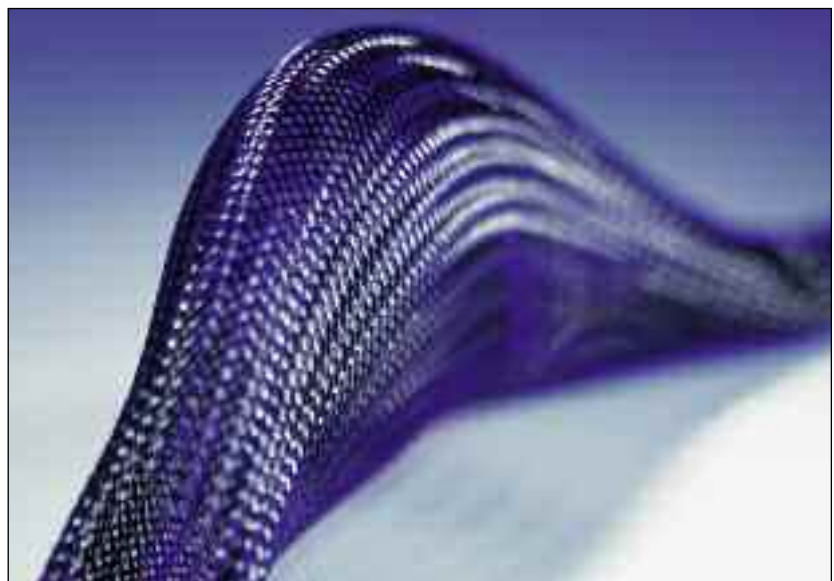
Because Helagaine HLB is supplied in practical dispenser boxes and covers a wide range of applications with only a few sizes, it is ideal for both the professional and the home user. Helagaine HLB bundles and effectively protects cables and wires, for instance in HiFi systems and in industrial plants. Helagaine HLB also provides good resistance to abrasion.

Application Method

The fraying of the sleeving can be prevented with the HSG0 hot cutting tool. You can find more information on the HSG0 hot cutting tool on page 82.



Helagaine HLB: The expansion rate makes it possible. Only three sizes in a handy dispenser box for almost all standard diameters.



Helagaine HLB covers a wide range of applications with only three sizes.

Reference	ø D	Bundle ø min.	Bundle ø max.	Reel Length (m)	Price
HLB15	15	5	21	10	£12.05
HLB25	25	10	30	10	£15.06
HLB35	35	18	54	10	£18.83

All dimensions in mm. Subject to technical changes.

Material Data HLB	
Material	Polyester (PET)
Colour	Black (BK)
Operating Temperature	-50°C to +150°C Intermittent +200°C
Melting Point (Metric)	+250°C
Oxygen Index	34% (NFG 07-128)



Glass Braided Sleeving

- Highly flexible glass fibre braided sleeving impregnated with silicone rubber
- Temperature range -60°C to +250°C
- Continuous (peak of +450°C)
- Breakdown voltage: 0.8kV
- Colour: White. Supplied in 25m coils

PA66 Braided Sleeving	
Name	Helaglass GSS
Material	Glass fibre
Min Working Temperature	-60°C
Max. Working Temperature	+250°C
Intermittent Temperature	+450°C
Flammability	Self-extinguishing
Standard Colours	White



Glass Braided Sleeving			
Reference	Bore Dia (mm)	Coil	Price
GSS1	1.0	25m	£3.94
GSS1.5	1.5	25m	£4.20
GSS2	2.0	25m	£4.73
GSS2.5	2.5	25m	£5.57
GSS3	3.0	25m	£6.98
GSS4	4.0	25m	£7.67
GSS5	5.0	25m	£9.87
GSS6	6.0	25m	£12.18
GSS7	7.0	25m	£13.23
GSS8	8.0	25m	£15.86
GSS10	10.0	25m	£17.85
12mm, 14mm, 16mm & 18mm diameter sleeving available to special order.			

Braided sleeve hot cutting tool - HSG0

The HSG0 hot cutting tool is a light, robust, hand-held device to cut synthetic fabrics such as braided sleeving. It heats up quickly with the press of a button and cuts the sleeving cleanly in a matter of seconds. The individual strands melt and fuse together preventing the sleeve from fraying.

HSG0			
Reference	Weight (Kg)	Colour	Price
HSG0	1.0	Blue (BU)	£102.22

Subject to technical changes.



The HSG0 hot cutting tool prevents the braided sleeving from fraying.

Helawrap

- Helawrap is a complete system consisting of a slit cable cover and a thermoplastic applicator tool
- Available in 2 materials
- Allows easy access to the cable at any point
- Applicator tool ensures quick and easy installation
- Build costs can be significantly reduced due to its innovative design
- Can be used to wrap and cover wires, cables or hoses
- Can be removed and reapplied easily
- Available in 2 & 25 metre pack size with tool
- HWVO is zero halogen and flame retarded



Helawrap HWVO	
Reference	HWVO
Name	Helawrap
Material	Flame Retarded PA6
Min. Working Temperature	-40°C
Max. Working Temperature	90°C
Intermittent Temperature	120°C
Flammability	UL94V0
Standard Colours	Black (BK)

Applicator Tools			
Reference	Colour	Pack	Price
HAT8	Blue	10	£9.56
HAT16	Blue	10	£12.08
HAT20	Blue	10	£17.05
HAT25	Blue	10	£20.79
HAT30	Blue	10	£24.54

HWPA-V0							
Reference	ID Min	ID Max	Wall Thickness	Colour	Applicator Tool	Pack Length	Price
HWPA-VO8	6.0	9.0	0.90	Black (BK)	HAT8	25Metres	£75.29
HWPA-VO16	14.0	16.0	0.90	Black (BK)	HAT16	25Metres	£104.19
HWPA-VO20	17.0	20.0	0.90	Black (BK)	HAT20	25Metres	£128.04
HWPA-VO25	21.0	25.0	0.90	Black (BK)	HAT25	25Metres	£154.03
HWPA-VO30	25.0	30.0	0.95	Black (BK)	HAT30	25Metres	£189.72

Helawrap HWPP	
Reference	HWPP
Name	Helawrap
Material	Polypropylene
Min. Working Temperature	-60°C
Max. Working Temperature	110°C
Intermittent Temperature	140°C
Standard Colours	Black (BK) or Grey (GY)

HWPP							
Reference	ID Min	ID Max	Wall Thickness	Colour	Applicator Tool	Pack Length	Price
HWPP8	6.0	9.0	0.90	Grey,Black,Silver,White	HAT8	25Metres	£27.67
HWPP16	14.0	16.0	0.90	Grey,Black,Silver,White	HAT16	25Metres	£35.77
HWPP20	17.0	21.0	0.90	Grey,Black,Silver,White	HAT20	25Metres	£44.72
HWPP25	21.0	28.0	0.90	Grey,Black,Silver,White	HAT25	25Metres	£54.20
HWPP30	25.0	30.0	0.95	Grey,Black,Silver,White	HAT30	25Metres	£62.83
HWPP16/2	14.0	16.0	0.90	Grey, Black, Silver	HAT16	2Metres	£5.81
HWPP25/2	21.0	25.0	0.90	Grey, Black, Silver	HAT25	2Metres	£7.64

Silver/White on request. Nylon material and other pack variations available on request.



Insert one or more cables into the applicator tools



Place the applicator into one end of the Helawrap



Simply slide the tool through the Helawrap Cover



HWVO only

Helawrap Accessory Set HWClips and HWBase

The Helawrap accessory set HWClip and HWBase is a family of retaining clips for the Helawrap Cable Management System.

With the highly adaptable mounting plate, cables can be protected alongside most existing structures and installations. The plate can be fixed either with screws, with cable ties threaded through or around the base of the plate, or with an adhesive to provide a long-lasting hold.

Application

Helawrap clips and mounting plates can be linked into chains to bundle, protect and fix any number of cables on industrial machines. They can also be used in wiring cabinets, particularly in the door area where movement is a requirement. Helawrap accessories are also used to manage cables in the office or home.

Material Data	
Material	Polyamide 6.6 High Impact Modified, Heat Stabilised
Operating Temperature	-40°C to +105°C
Flammability	UL94 HB



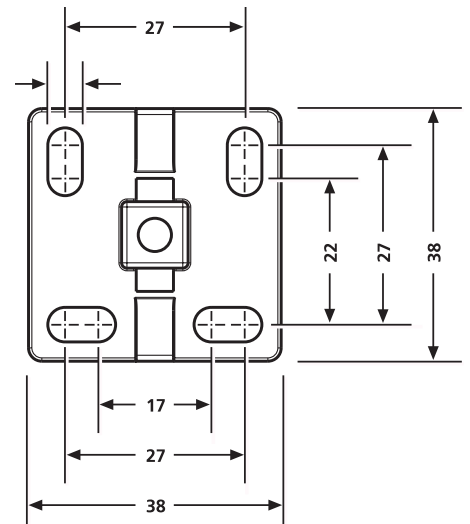
The Helawrap accessory set for bundling, fixing and protecting multiple cable runs.



Multiple clips can be joined. Clips swivel freely.



For secure hold, R1 loop can be used (for HWClip25 and HWClip 30 only).



Helawrap HWBase/HWBaseA



Protecting and fixing cables with the Helawrap cable cover and accessory set, for instance in wiring cabinets.

Technical Table						
Article-No.	Type	Ø D	For Helawrap size	Colour	Pack	Price
HW Clips						
161-64002	HWCLIP08	9	8	Black (BK)	50	£12.13
161-64004	HWCLIP16	15	16	Black (BK)	50	£14.31
161-64006	HWCLIP20	20	20	Black (BK)	50	£15.70
161-64008	HWCLIP25	25	25	Black (BK)	50	£17.46
161-64010	HWCLIP30	31	30	Black (BK)	50	£19.19
201-20010	R1	-	-	Black (BK)	500	£3.38

All dimensions in mm. Subject to technical changes.

Technical Table					
Article-No	Type	Adhesive	Colour	Pack	Price
161-64012	HWBASEA	Acrylate with base of polyurethane	Black (BK)	50	£20.58
161-64014	HWBASE	-	Black (BK)	50	£19.66



Spiral Binding SBPE, SBPEFR, LFPS

Features and Benefits

Spiral binding is used for organising and protecting cables and hoses. Due to the spiral structure, spiral binding can be applied to cables or hoses in situ. Cables can branch out at any point and in any direction.

HellermannTyton spiral binding is available in a wide range of diameters, colours and materials:

- Standard polyethylene SBPE for general applications
- Flame-retardant polyethylene SBPEFR for enhanced flame protection
- LFPS polyolefin for zero halogen, low smoke and toxicity applications.

Application

Spiral binding is used to route and bind cables that need high mechanical protection, for instance in the automotive industry as well as in control panels and cabinets. It is also used in electrical installation, where safety is a primary consideration. Spiral binding provides a tidy solution for many applications.



SBPE/NFP	
Material	Polyethylene (PE)
Operating Temperature	-60°C to +90°C, intermittent +120°C
Flammability	UL94 HB

SBPEFR/FRP	
Material	Polyethylene (PEFR), flame retardant
Operating Temperature	-60°C to +80°C, intermittent +120°C
Flammability	UL94 V2, FMVSS 302 Type B

LFPS	
Material	Polyolefin (PO)
Operating Temperature	-40°C to +90°C, intermittent 120°C
Flammability	UL94 V0 @ 3mm thickness

Technical Table

Article-No.	Type	O D (WT)	Wall (P)	Pitch Ø min.	Bundle Ø max.	Bundle	Material cont.	Colour	Pack	Price
SBPE, 5 m – Packs										
	SBPE4D	4.0	1.0	7.8	5.0	20.0	PE	Black, office grey, natural	5m	£2.19
	SBPE9D	9.0	1.4	12.5	10.0	100.0	PE	Black, office grey, natural	5m	£3.57
SBPE/NFP										
	SBPE1.5/1NFP	1.5	0.8	6.0	1.6	8.0	PE	Black, office grey, natural	30m	£5.28
	SBPE4/2NFP	4.0	1.0	7.8	5.0	20.0	PE	Black, office grey, natural	30m	£6.06
	SBPE9/3NFP	9.0	1.4	12.5	10.0	100.0	PE	Black, office grey, natural	30m	£11.34
	SBPE16/6NFP	16.0	1.6	16.0	20.0	150.0	PE	Black, office grey, natural	30m	£26.51
SBPEFR/FRP										
	SBPEFR1.5/1FRP	1.5	0.8	6.0	1.6	8.0	PE-FR	Black and white	30m	£6.08
	SBPEFR4/2FRP	4.0	1.0	7.8	5.0	20.0	PE-FR	Black and white	30m	£8.16
	SBPEFR9/3FRP	9.0	1.4	12.5	10.0	100.0	PE-FR	Black and white	30m	£20.20
	SBPE16/6NFP	16.0	1.6	16.0	20.0	150.0	PE-FR	Black and white	30m	£33.55
LFPS										
	1LFPSGY	4.0	1.0	7.8	5.0	20.0	PO	Grey	30m	£11.69
	2LFPSGY	9.0	1.4	12.5	10.0	100.0	PO	Grey	30m	£19.39
	3LFPSGY	16.0	1.6	16.0	20.0	150.0	PO	Grey	30m	£42.77



- SBPE



- LFPS



- ALL

Flexible Conduit Systems

Made to CEI Standards CEI EN 50086.1-94 and CEI EN 50086. 2.3-1996.
Degree of protection achieved with Guviflex fittings is IP65.

- Composition: Plasticised PVC with shockproof rigid PVC spiral core
- Colour: Black (grey or blue to special order)
- Insulation: Greater than 100MV per 500V
- Dielectric strength: Greater than 2000V., 50Hz for 15min
- Minimum temperature 5°C
- Maximum temperature: 60°C
- Bend radius: As conduit outside diameter
- Incandescent wire test at 850°: positive result - IMQ report No. 1493
- Self-extinguishing: To UL 94 VO Standards
- Supplied in 30m coils

Black Flexible Conduit				
Reference	Coil	Int. Dia mm	Ext. Dia mm	Price
GUAN 10/551	30m	10	14.7	£30.64
GUAN 12/552	30m	12	16.4	£32.38
GUAN 16/554	30m	16	20.7	£36.48
GUAN 20/557	30m	20	24.7	£41.11
GUAN 25/559	30m	25	30.6	£50.98
GUAN 28	30m	28	33.5	£54.08
GUAN 32/562	30m	32	38.0	£69.22
GUAN 35	30m	35	41	£60.32
GUAN 40/564	30m	40	46.4	£89.50
GUAN 50/565	30m	50	57.2	£131.31



Handipacks

Contains 10 metres of Black conduit and 10 straight fittings.

Handipacks			
Reference	Int. Dia mm	Ext. Dia mm	Price
801	16	20.7	£17.15
802	22	27.7	£21.07
803	20	24.7	£18.06



Straight Fittings

Fittings are easily assembled onto the conduit without the use of tools to give a swivel joint with sealing to IP65 standards.

Fittings are made from self-extinguishing polypropylene in compliance with UL94 standards. Available with Metric and Gas threads in compliance with CEI 23-26 standards.

The swivel fittings are easily fitted to the conduit and are fitted with 'O' rings to maintain IP rating when terminating into enclosures etc.

Straight Fittings			
Reference	Thread	To Fit Conduit Ref	Price
RAMN 12	16 x 1.5 Metric	12mm-552	£0.84
RAMN 16	20 x 1.5 Metric	16mm-554	£0.84
RAMN 20	25 x 1.5 Metric	20mm-557	£1.02
RAMN 22	25 x 1.5 Metric	22mm-558	£1.08
RAMN 25	32 x 1.5 Metric	25mm-559	£1.27
RAMN 32	40 x 1.5 Metric	32mm-562	£1.51
RAGN 10	1/4 in Gas	10mm-551	£0.78
RAGN 12	3/8 in Gas	12mm-552	£0.84
RAGN 16 - 724	1/2 in Gas	16mm-554	£0.90
RAGN 22 - 726	3/4 in Gas	22mm-558	£1.08
RAGN 25 - 727	1 in Gas	25mm-559	£1.26
RAGN 28	1 in Gas	Guan 28	£1.37
RAGN 32 - 729	1 1/4 in Gas	32mm-562	£1.50
RAGN 35	1 1/4 in Gas	Guan 35	£1.56
RAGN 40 - 731	1 1/2 in Gas	40mm-564	£3.25
RAGN 50 - 732	2 in Gas	50mm-565	£3.85



Helaguard HG Protective Hoses

Features and Benefits

The highly flexible Helaguard protective hoses are made of a high-grade polyurethane and a PUR-coated spring steel wire. The tubing offers superior protection against chemicals, oils, UV and ozone. Helaguard has excellent abrasion resistance and tensile strength and is also halogen-free.

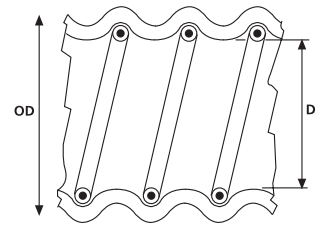
Application

Helaguard is resistant to chemicals and oils and used in machine building in very demanding environments.



Helaguard

Material Data	
Material	Polyurethane (PUR)
Colour	Blue (BU)
Operating Temperature	-40°C to +90°C, Intermittent +125°C
Protection Class	IP68
Flammability	UL94 V2



Helaguard

Technical Table						
Type	Thread Size	Ø D	Outside Ø (OD)	Bending Radius	Reel Length	Price
HG09	16 x 1.5	11	14	14	10m	£47.85
HG11	20 x 1.5	13	17	17	10m	£52.07
HG13	20 x 1.5	15	19	19	10m	£61.21
HG16	25 x 1.5	17	21	21	10m	£68.95
HG21	32 x 1.5	22	27	27	10m	£72.48
HG29	40 x 1.5	31	36	36	10m	£105.55
HG36	50 x 1.5	39	45	45	10m	£147.16
HG48	63 x 1.5	45	52	52	10m	£229.38

All dimensions in mm. Subject to technical changes.



Flexiguard NS Protective Hoses

Features and Benefits

Flexiguard is a highly flexible protective hose made of high-grade PVC and a plastic coated spring steel wire. It offers good mechanical protection and fulfils IP 68. Due to its very low bending radius, Flexiguard can be used under very difficult conditions.

Application

Flexiguard protective hoses are used in machining cabinets and plant construction as protection for cables. It can also be used to protect wiring around cabinet doors that need to be opened and closed regularly.



Flexiguard NS with UH fitting.

Material Data	
Material	Flexible Polyvinyl PVC, cadmium free
Colour	Grey (GY)
Operating Temperature	-20°C to +70°C, Intermittent +80°C
Protection Class	IP68
Flammability	UL94 HB

RoHS

Technical Table						
Type	Thread Size	O D	Outside Ø (OD)	Bending Radius	Reel Length	Price
NS09	16 x 1.5	10	14	14	10m	£33.78
NS 11	20 x 1.5	13	17	17	10m	£38.70
NS 13	20 x 1.5	15	19	19	10m	£44.32
NS 16	25 x 1.5	16	21	21	10m	£46.44
NS 21	32 x 1.5	21	27	27	10m	£52.07
NS 29	40 x 1.5	30	36	36	10m	£71.06
NS 36	50 x 1.5	38	45	45	10m	£99.22
NS 48	63 x 1.5	48	56	52	10m	£150.58

All dimensions in mm. Subject to technical changes.



UH, NV and TV Fittings

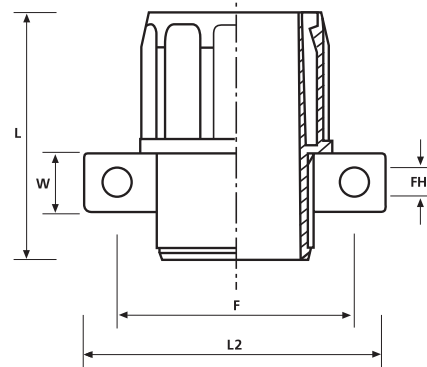
Features and Benefits

The fittings for Flexiguard and Helaguard hold and protect the conduit and provide a bracket (UH) to fix the fitting firmly. The fittings are easily fastened to the hoses. The pins on the inside of the fittings hold the hoses securely. The long inner conical socket provides added protection against fluids, fulfilling IP54 rating according to DIN EN 60529. The fittings are made of modified polypropylene and are very robust.

Application

The fittings are used to fix Flexiguard and Helaguard hoses securely and to protect against dust or liquids.

Material Data	
Material	Polypropylene (PP)
Colour	Grey (GY)
Operating Temperature	-35°C to +80°C
Protection Class	IP54
Flammability	UL94 V2

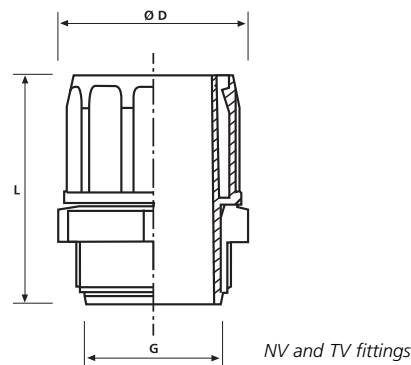


UH fitting with bracket

Technical Table							
Type	Length (L)	Length (L2)	Width (W)	Fixing Hole Ø (FH)	Fixing Hole Centres (F)	Pack	Price
Connecting Mounts							
UH09	42.0	40.0	10.0	5.7	29.0	10	£16.18
UH11	45.5	50.0	12.0	5.7	37.0	10	£19.70
UH13.5	47.5	50.0	12.0	5.7	37.0	10	£21.11
UH16	49.8	50.0	12.0	5.7	37.0	10	£23.92
UH21	52.0	57.0	12.5	5.7	43.0	10	£33.07
UH29	55.0	67.0	13.0	6.7	53.0	10	£40.10
UH36	58.0	80.0	14.0	6.7	65.0	10	£47.14
UH48	60.5	93.0	16.5	6.7	76.0	10	£73.17

All dimensions in mm. Subject to technical changes.

NV and TV Fittings	
Material	Polypropylene (PP)
Colour	Grey (GY)
Operating Temperature	-35°C to +80°C
Protection Class	IP54
Flammability	UL94 V2



NV and TV fittings

Technical Table					
Type	Thread Size (m)	Length (L)	Ø D	Pack	Price
TV09/M16	16 x 1.5	42.0	22.0	10	£16.89
TV11/M20	20 x 1.5	45.5	26.4	10	£19.70
TV16/M25	25 x 1.5	49.8	33.0	10	£22.52
TV21/M32	32 x 1.5	52.0	39.6	10	£35.88
TV29/M40	40 x 1.5	55.0	50.6	10	£53.48
TV36/M50	50 x 1.5	58.0	60.5	10	£81.62
TV48/M63	63 x 1.5	60.5	71.5	10	£127.36

All dimensions in mm. Subject to technical changes.

Technical Table					
Type	Thread Size (PG)	Length (L)	Ø D	Pack	Price
NV09	PG9	42.0	22.0	10	£16.89
NV11	PG11	45.5	26.4	10	£19.70
NV13,5	PG13	47.5	29.7	10	£20.40
NV16	PG16	49.8	33.0	10	£22.52
NV21	PG21	52.0	39.6	10	£35.88
NV29	PG29	55.0	50.6	10	£53.48
NV36	PG36	58.0	60.50	10	£81.62
NV48	PG48	60.5	71.5	10	£127.36

All dimensions in mm. Subject to technical changes.



FCT

FCT Convoluted Tubing				
Material		Impact Modified PA6		
Min Working Temperature		-40°C		
Max. Working Temperature		120°C		
Intermittent Temperature		155°C		
Oxygen Index		22%		
Halogen Content		Halogen Free		
Standard Colours		Black (BK)		
Reference	ID	Wall Thickness	Coil Length	Price
FCT7BK	6.8	0.45	200m	£62.84
FCT10BK	10.5	0.45	200m	£69.46
FCT11BK	11.5	0.45	200m	£75.80
FCT13BK	12.6	0.45	200m	£87.92
FCT16BK	16.5	0.45	100m	£47.46
FCT19BK	19.5	0.45	50m	£27.78
FCT23BK	23.5	0.45	50m	£37.91



Slit Format					
Reference	ID	Wall	Applicator Tool	Coil Length	Price
FCT7BK/S	6.8	0.45	HAT8	200m	£62.84
FCT10BK/S	10.5	0.45	n/a	200m	£69.46
FCT11BK/S	11.5	0.45	n/a	200m	£75.80
FCT13BK/S	12.6	0.45	n/a	200m	£87.92
FCT16BK/S	16.5	0.45	HAT16	100m	£47.46
FCT19BK/S	19.5	0.45	HAT20	50m	£27.78
FCT23BK/S	23.5	0.45	HAT25-32	50m	£37.91

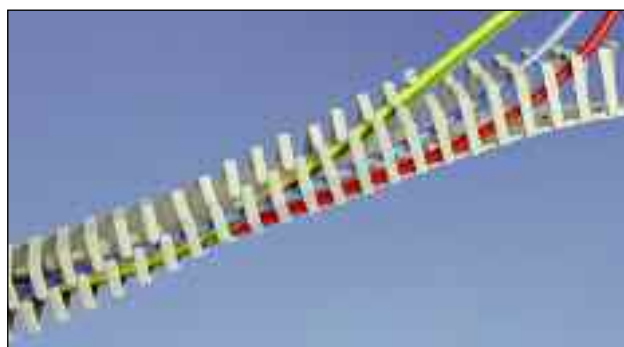
All dimensions are in mm (nominal) and are subject to technical modification.

Applicator Tools	
Reference	Price
HAT8	For prices see page 86
HAT16	
HAT20	
HAT25	

Kanalflex

A flexible routing system made from grey polypropylene (RAL 7040). The upper 'tongues' of the section are inclined downward to facilitate easy insertion of cables. Supplied with adhesive fixing strip and pre-drilled for additional screw fixing as required. Supplied in lengths of 500mm in packs of 10 lengths.

Kanalflex			
Reference	Dimensions mm	Pack Qty	Price
BK1313A	12.5 x 12.5	10 x 0.5m	£12.21
BK1616A	16 x 16	10 x 0.5m	£13.92
BK2020A	20 x 20	10 x 0.5m	£15.06
BK2525A	25 x 25	10 x 0.5m	£20.19
BK3030A	30 x 30	10 x 0.5m	£22.25
BK4040A	40 x 40	10 x 0.5m	£27.61
BK5050A	50 x 50	10 x 0.5m	£33.08

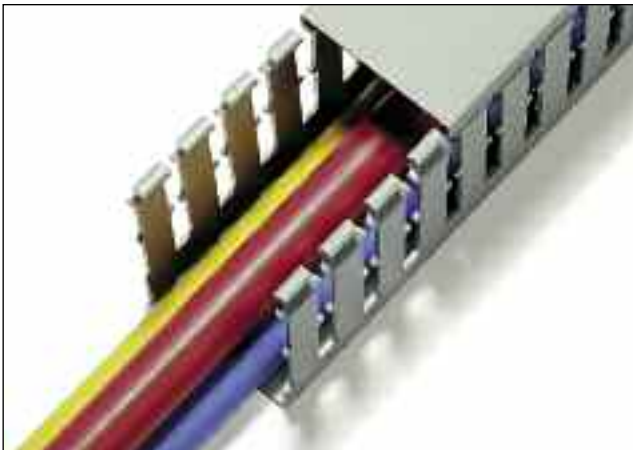


Open Slot Trunking

Slotted trunking provides a neat and efficient means of supporting cables in switchgear, control cubicles etc. The open slot construction with tapered slots means that cables can be laid in as assembly wiring progresses, the lid being finally snapped in place to secure the installation. When required, individual 'fingers' forming the slots can be removed to accommodate larger cables or to permit butt joints between two trunking sections. Supplied in grey finish (RAL 7030).

PVC Cable Trunking

- Made from rigid anti-shock pvc.
- Flame and combustion resistant to DIN 4102 and ASTM D 635.
- Mounting hole dimensions to DIN 43659.
- Plain and open slot versions in grey.
- Supplied in 2m lengths in standard or bulk packs.
- Fixing rivets and tools simplify installation.
- Open and closed trunking CSA approved.

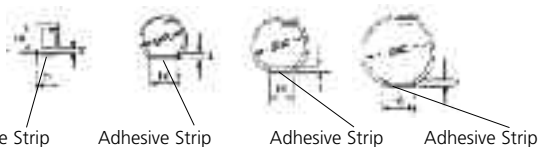


Heladuct HTC

Flexible Supports for Cables and Wires

These Supports, for bundles, cables and wires, provide a simple, reliable and economical wiring system, which can be installed quickly. The supports are available in four standard sizes in lengths of 500mm and are particularly suitable for supporting and fixing cables/wires in switchgear, control gear enclosures, vehicles etc.

- Made from white polypropylene (self extinguishing UL94V-0)
- Good chemical resistance
- Operating Temperature range -20°C to +70°C
- Rectangular and circular sections
- Supplied with adhesive fixing strip. Also pre-drilled for additional screw fixing as required



Open Slot Trunking (HTS)

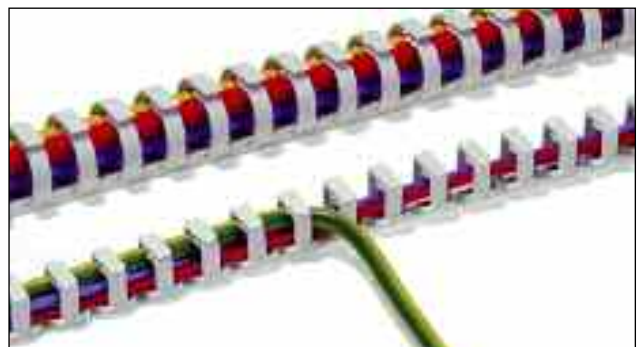
Reference	Section W x H (mm)	Pack Quantity		Std Price	Bulk Price
		Std (m)	Bulk (m)		
HTS 1A	15 x 25	10 x 2	100	£28.00	£93.38
HTS 1B	25 x 25	10 x 2	150	£31.20	£145.81
HTS 2	30 x 30	10 x 2	120	£29.66	£120.07
HTS 3	25 x 40	10 x 2	100	£32.69	£108.76
HTS 4	40 x 40	10 x 2	72	£39.04	£106.77
HTS 5	60 x 40	10 x 2	48	£51.61	£101.92
HTS 5A	80 x 40	10 x 2	60	£65.96	£169.78
HTS 5B	100 x 40	-	32	-	£120.23
HTS 5C	30 x 50	10 x 2	100	£42.35	£171.33
HTS 5D	50 x 50	10 x 2	60	£43.29	£114.37
HTS 6	25 x 60	10 x 2	64	£42.51	£104.65
HTS 7	40 x 60	10 x 2	48	£49.24	£96.58
HTS 8	60 x 60	10 x 2	32	£58.02	£79.97
HTS 9	80 x 60	10 x 2	48	£69.88	£157.44
HTS 10	100 x 60	4 x 2	32	£42.00	£131.35
HTS 12	25 x 80	10 x 2	42	£52.68	£91.00
HTS 13	40 x 80	10 x 2	60	£60.03	£155.54
HTS 14	60 x 80	10 x 2	48	£71.55	£157.68
HTS 14A	80 x 80	4 x 2	36	£40.10	£139.64
HTS 15	100 x 80	4 x 2	24	£51.49	£128.85
HTS 16	120 x 80	4 x 2	24	£53.86	£151.40
HTS 17A	40 x 100	-	40	-	£174.01
HTS 17B	60 x 100	-	32	-	£179.66
HTS 18A	80 x 100	4 x 2	24	£65.48	£177.85
HTS 19	100 x 100	4 x 2	16	£96.69	£161.60
HTS 20	150 x 100	4 x 2	12	£124.38	£169.66

Narrow slot trunking available on request.

Lids - 2m Lengths (HLD)

Reference	Width	Length	Price
HLD 25	25	2m	£0.81
HLD 40	40	2m	£1.17
HLD 60	60	2m	£1.83
HLD 80	80	2m	£2.84
HLD 100	100	2m	£3.95

Spare lids MOQ (10 mixed).



Heladuct White

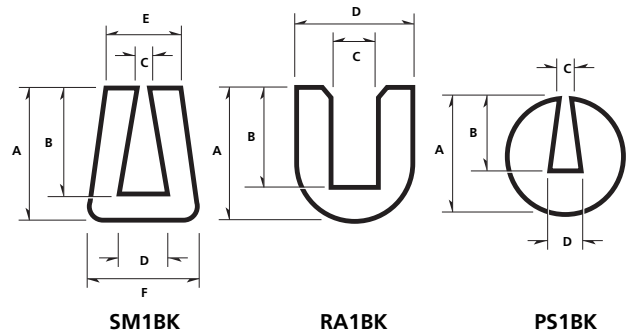
Reference	Internal Dimensions mm	Capacity (Number of Wires)		Pack Qty	Price
		1.5mm ²	2.5mm ²		
HTC10	9 x 11	6	4	10 x 0.5m	£19.39
HTC20	20 dia	22	14	10 x 0.5m	£22.07
HTC30	30 dia	50	34	10 x 0.5m	£23.96
HTC40	40 dia	81	60	10 x 0.5m	£32.23

Beading

SM1BK, RA1BK, PS1BK

Beadings are manufactured from a self-extinguishing flexible PVC compound which ensures flexibility and ease of application.

Beading is used to cover panel edging so ensuring that wire bundles do not chafe through bulkheads.



SM1BK, RA1BK & PS1BK	
Material	SM1BK, RA1BK, PS1BK PVC
Operating Temperature	-65°C to +105°C Intermittent +130°C
Flammability	Self-extinguishing
Colour	Black

Reference	A	B	C	D	E	F	Coil	Price
SM1BK	6.3	4.9	1.0	1.8	4.2	5.0	75m	£21.24
RA1BK	7.1	5.6	2.4	6.4	-	-	75m	£18.99
PS1BK	5.0	3.15	0.6	1.2	-	-	75m	£13.78

Flexiform G51P

- Polyethylene
- Available in a wide range of sizes to cover different panel thicknesses from 0.4 to 6.5mm
- The flexible 'U' section has been designed to fit and line any shape or size of hole
- Also prevents possible damage from chafing



Flexiform (G51P)	
Material	Polyethylene
Min. Working Temperature	-30°C
Max. Working Temperature	80°C
Intermittent Temperature	120°C
Halogen Content	Halogen Free
Standard Colours	Natural (NL)

Reference	Coil	Colour	Size	Width	Channel Width	Height	Panel Thickness	Price
G51PAA	25m	Natural	AA	2.2	0.95	2.4	0.4-0.9	£6.83
G51PA	25m	Natural	A	3.8	1.4	4.0	0.4-1.3	£7.35
G51PB	25m	Natural	B	4.5	2.3	4.0	1.3-2.1	£7.93
G51PC	25m	Natural	C	5.6	3.3	4.0	2.1-3.3	£8.22
G51PD	25m	Natural	D	8.3	5.0	5.8	3.3-4.8	£10.59
G51PE	25m	Natural	E	9.8	6.6	6.1	4.8-6.5	£11.58

All dimensions are in mm (nominal) and are subject to technical modification.

